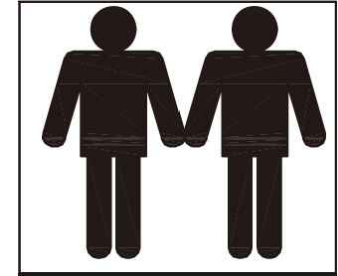
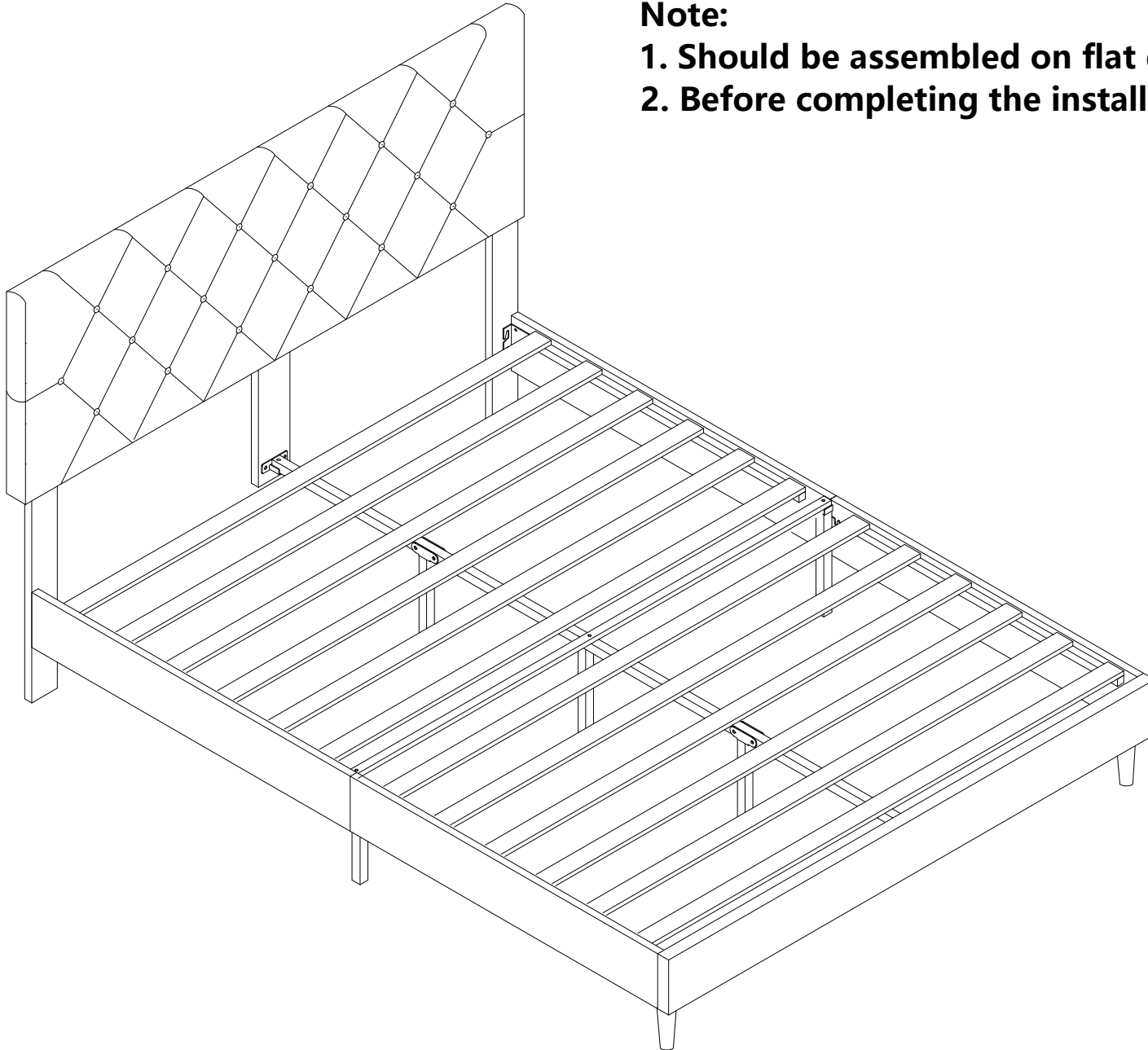


Assembly Instruction

Note:

- 1. Should be assembled on flat ground to keep balance.**
- 2. Before completing the installation, do not tighten the screws.**

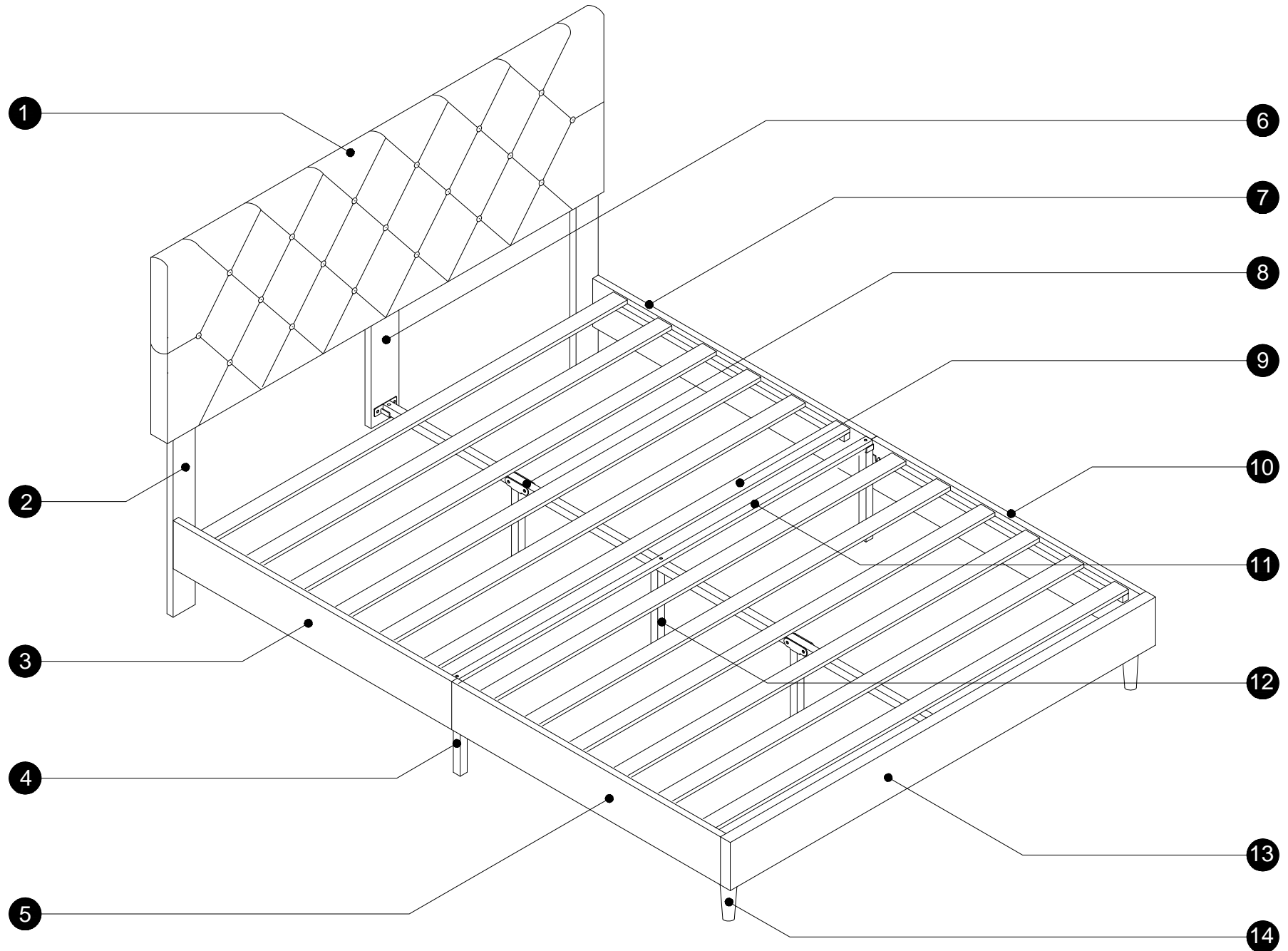


It needs at least two people to install.



Before starting the assembly, you must read the whole manual and follow the instructions

Assembly Instruction



Assembly Instruction

Hardware arts



M8*15

A 10PCS



M8*25

B 6PCS



M8*35

C 4PCS



M8*45

D 7PCS

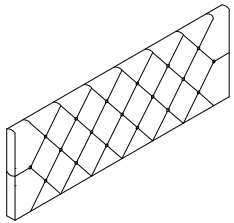


E 6PCS



F 1PC

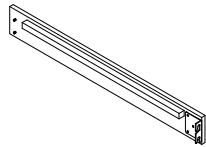
Part list



1 1PC



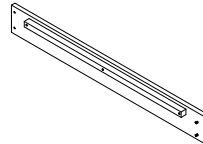
2 2PCS



3 1PC



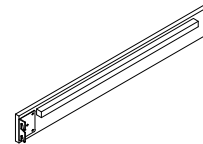
4 2PCS



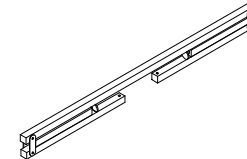
5 1PC



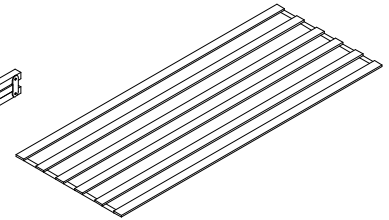
6 1PC



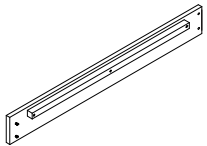
7 1PC



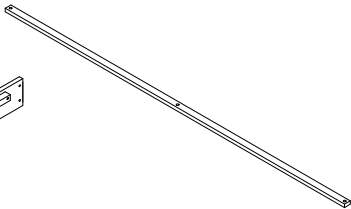
8 1PC



9 2PCS



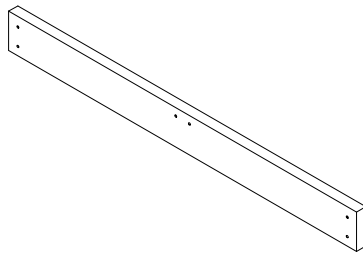
10 1PC



11 1PC



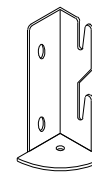
12 1PC



13 1PC



14 2PCS



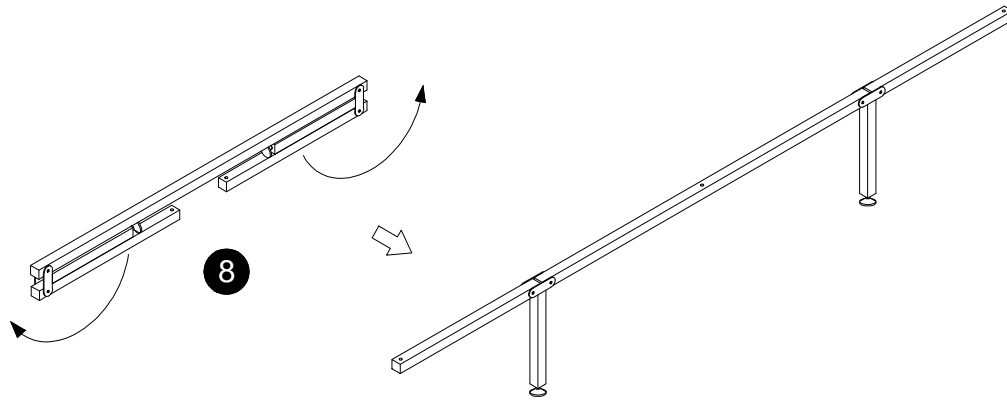
15 2PCS



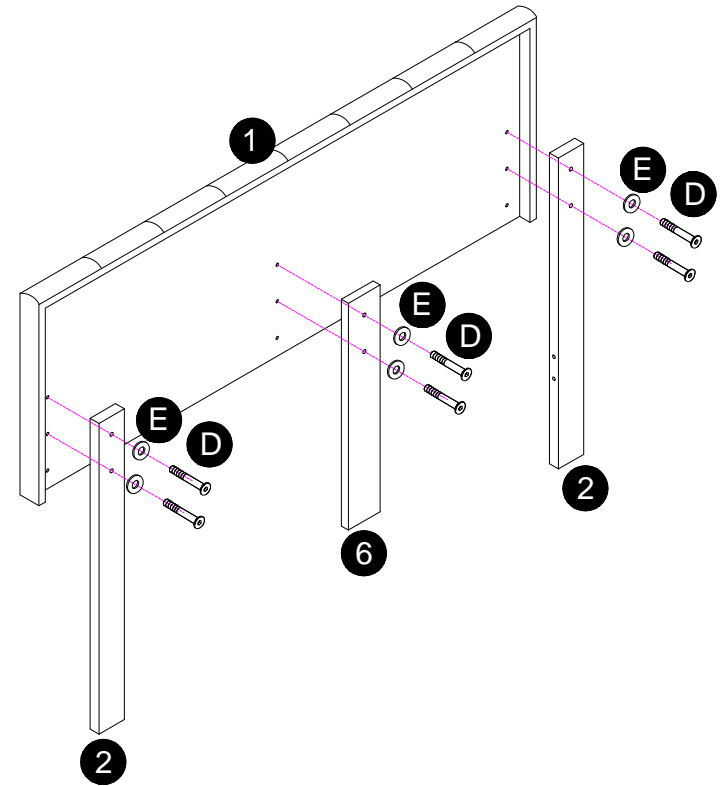
16 2PCS

Assembly Instruction

Step:1



Step:2



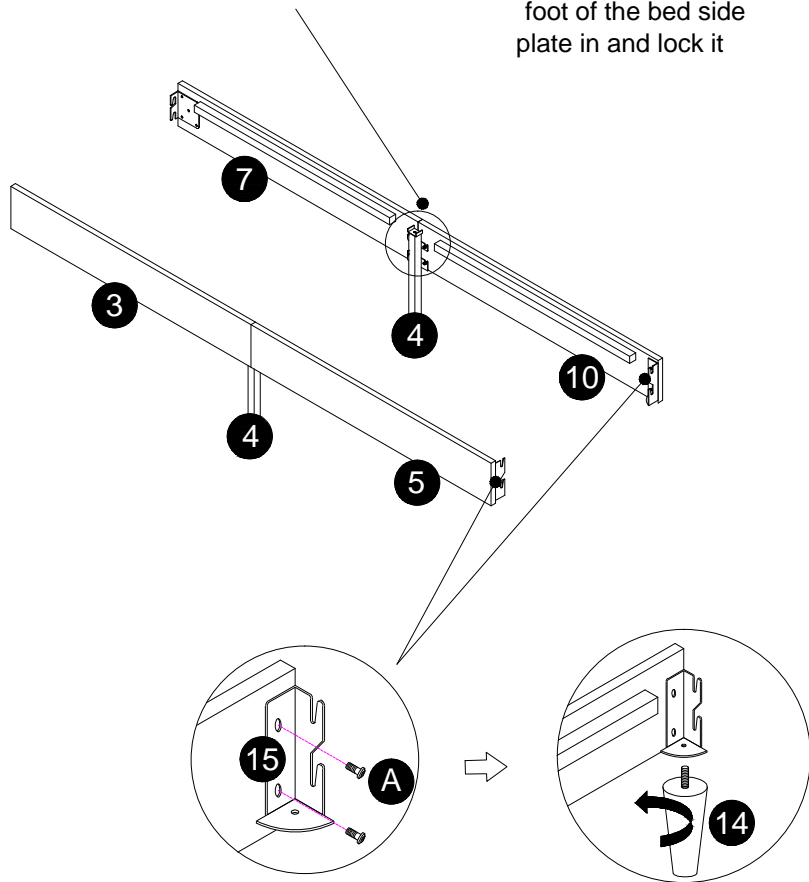
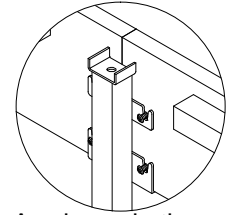
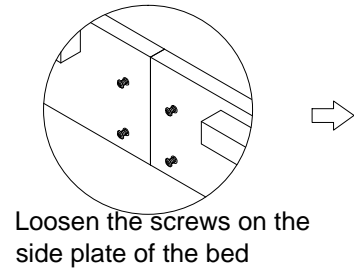
 **D** X 6PCS

 **E** X 6PCS


Assembly Instruction

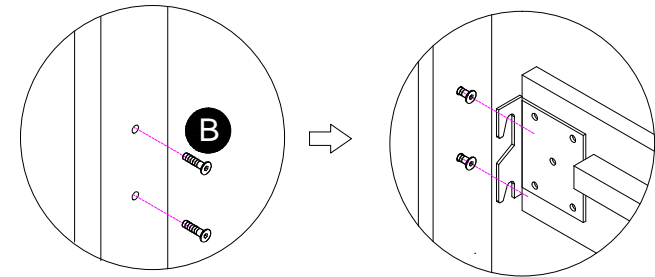
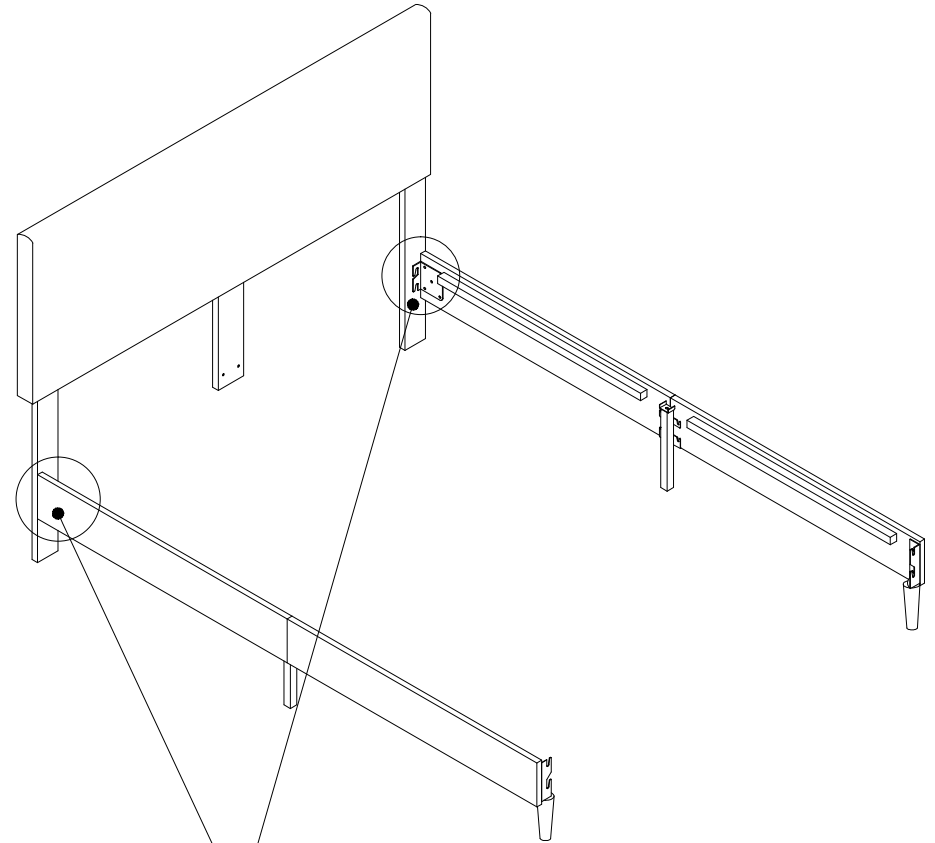
Step:3

 **A** X 4PCS



Step:4

 **B** X 4PCS

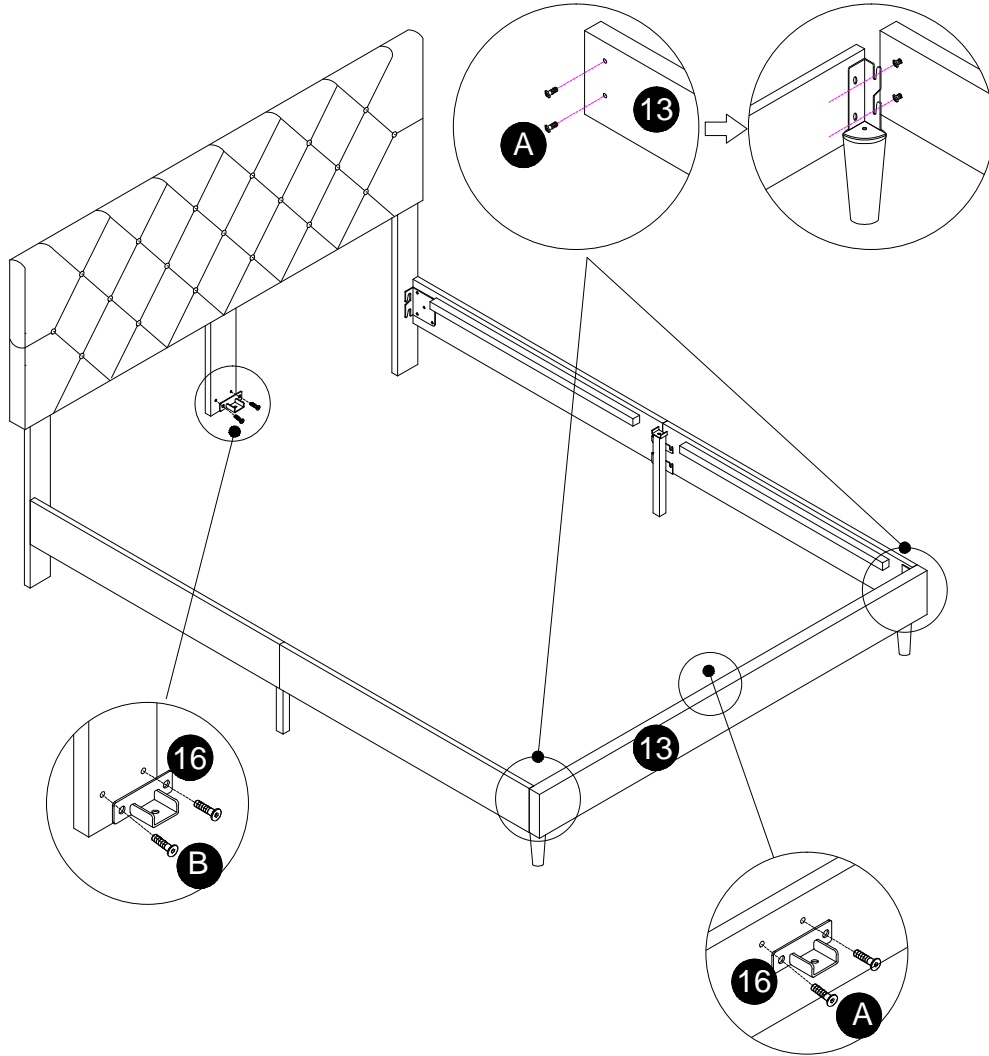


Assembly Instruction


Step:5

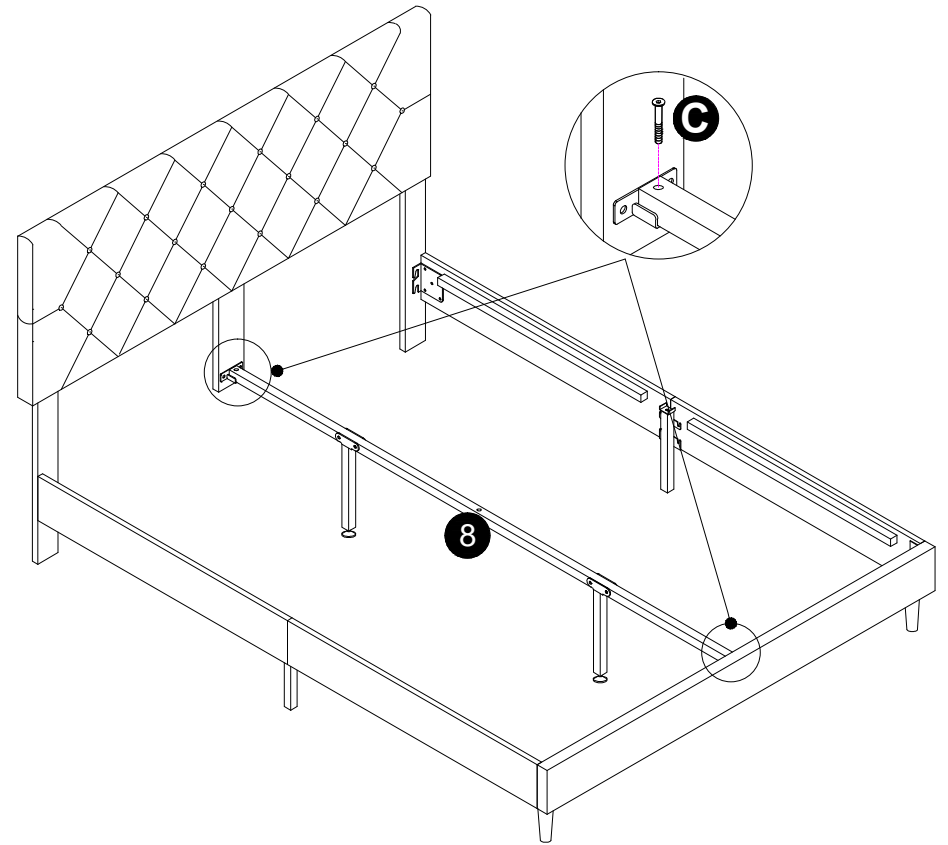
 **A** X 6PCS

 **B** X 2PCS



Step:6

 **C** X 2PCS

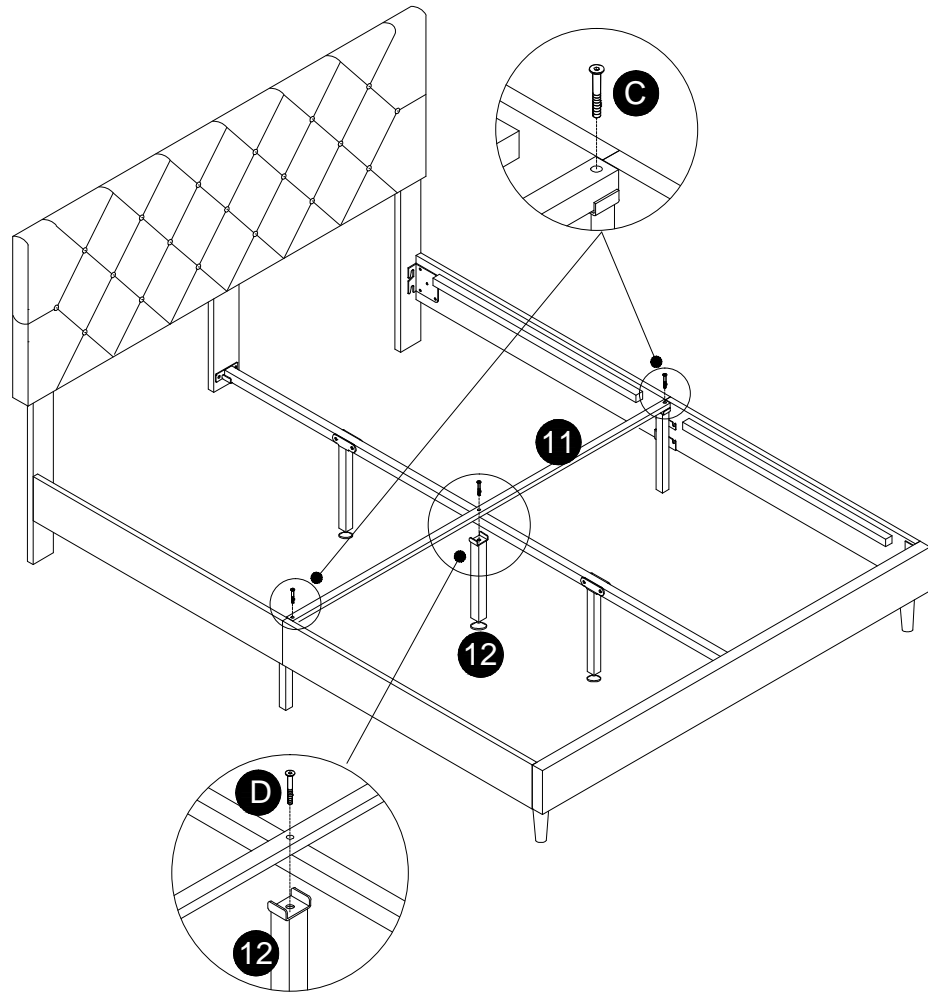


Assembly Instruction

Step:7

 **C** X 2PCS

 **D** X 1PC



Step:8

