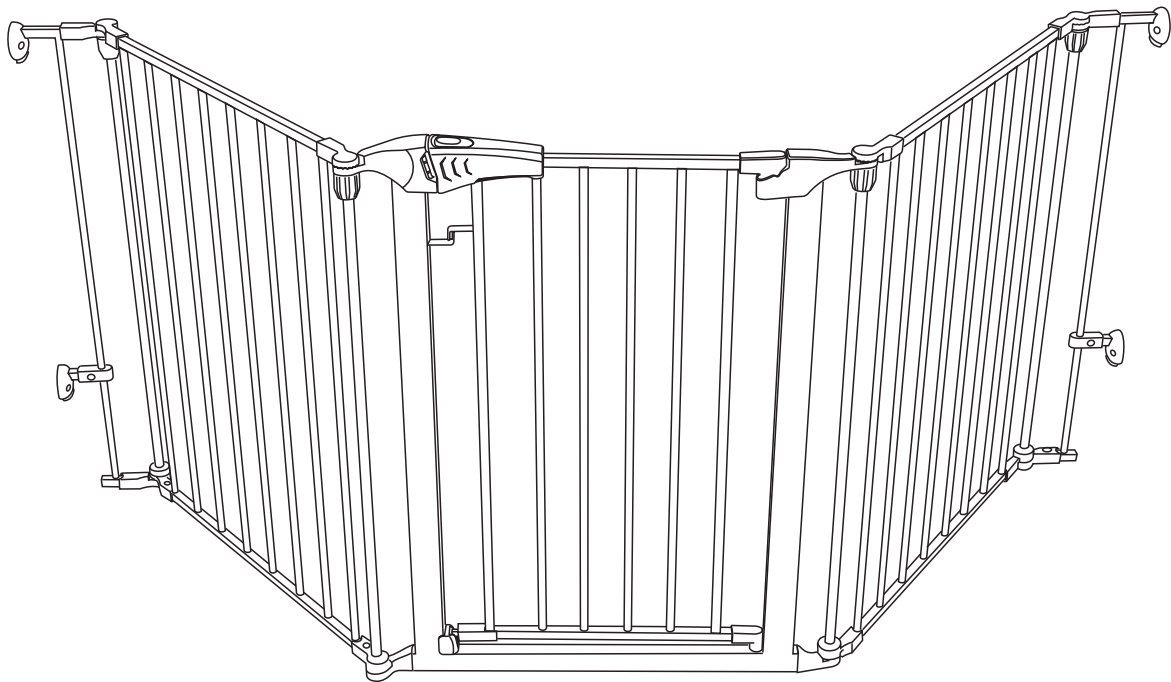


MANUAL

BABY SAFETY GATE

YG-11-03



Thank you for buying this safety gate, please read this manual carefully before use the product. Any problem feel free to contact our distributor.

Please e-mail to us directly via info@kingso.net, and will solve it as soon as possible

IMPORTANT! READ AND FOLLOW THESE INSTRUCTIONS CAREFULLY AND KEEP FOR FUTURE REFERENCE

Notice: Hardware installation is required

Instruction

Please read, follow and retain this instruction booklet thoroughly to ensure correct installation and for future reference. Please inspect your safety playpen upon receipt. Please check that all parts are present, correct and in good order. If you notice any damage or any parts missing, do not assemble. Either return to place of purchase or contact us directly. We recommend that you carry out the installation away from young children as some of the smaller parts may present a choking hazard.

Important Information

Ensure the safety barrier is attached between two clean structurally sound surfaces and fixed with wall plugs. This product comes without a base. Before using the playpen, customer should prepare a hexagonal mattress or pad which must be not more 23 inches side length and not more than 5.5 inches thick. Please check the playpen on a regular basis to ensure gate and parts are all in proper working order. Ensure appropriate fixings are used for drywall, wood, brick etc. Wall plugs are provided. If you are unable to secure to the wall satisfactorily, consult with a hardware store for adequate fittings.

Disclaimer

As safety gate which has been subjected to misuse, abuse, abnormal use, excessive wear and tear, improper assembly, negligence, environmental exposure, alteration or accident or has had its serial number altered or removed invalidates any and all claims against the manufacturer. Any damage to property during installation of your playpen is the sole responsibility of the end user. Failure to follow these warnings and the instructions could result in serious injury or death.

WARNING

Children have died or been seriously injured when gates are not securely installed.

- ALWAYS install and use gate as directed using all required parts.
- STOP using when a child can climb over or dislodge the gate.
- Use only with the latching mechanism securely engaged.
- NEVER use a gate to keep child away from pool.
- Stop using gate if any parts are missing or become damaged.
- Never leave child unattended.
- This product will not necessarily prevent all accidents.
- Gates that must be installed at least 10cm from the first step of the stair.
- Intended for use with children from 6 months through 24 months of age.

When used as a safety barrier

This safety barrier complies with EN1930:2011.

This product has been designed for domestic use only with children up to 24 months of age

WARNING: Incorrect fitting or positioning of this safety barrier can be dangerous.

WARNING: The safety barrier must not be fitted across windows.

WARNING: Do not use the safety barrier if any components are damaged or missing.

WARNING: Stop using the barrier if the child is capable of climbing it.

WARNING: Do not leave the gate of the barrier open at any time. Remove barrier if not in use for long periods.

⚠ When used as a barrier, the door closed and locks by itself.

⚠ This safety barrier is suitable for openings up to 320cm.

⚠ If the safety barrier is to be used at the top of the stairs it should not be positioned below the top level. If the barrier is to be used at the bottom of the stairs, it should be positioned at the front of the lowest tread possible.

When used as a playpen or a safety barrier

⚠ Adult assembly required. Install according to the manufacturer's instructions.

⚠ This product need to be closed manually; always check that it is correctly closed.

⚠ Never allow older children to climb on or over the barrier as this could result in an accident.

⚠ This playpen/barrier should be check regularly to ensure they remain properly fixed and secure. Never use this product if there are any loose or missing fasteners, loose joints, broken parts, or mesh/fabric. Check before assembly and periodically during use.

⚠ Any additional or replacement parts should only be obtained from the manufacturer or distributor.

⚠ This product will not necessarily prevent all accidents. Never leave a child unattended.

⚠ A swing gate can trap small hands.

⚠ Do not remove the safety notices; you may not always be the user.

⚠ Eventually your child will reach an age when they are capable of opening your gate. Children will develop physically and mentally at different rates, therefore it is important that you monitor your child's capabilities.

⚠ Retain these instructions as you may wish to reposition the playpen/barrier.

⚠ To clean: use mild soap and wipe with a damp cloth.

⚠ Strings can cause strangulation! Never place items with a string around a child's neck such as hood strings or pacifier cords. Never suspend strings over product or attach strings to toys.

⚠ Discontinue use of the product when child is able to clime out or reaches the height of 35 inches(890mm).

⚠ Child can become entrapped and die when improvised netting or covers are placed on top of a product. Never add such items to confine child in product.

⚠ When child is able to pull to standing position, remove bumper pads, large toys, and other objects that could serve as steps for climbing out.

⚠ Never place product near a window where cords from blinds or drapes can strangle a child.

⚠ Always provide the supervision necessary for the continued safety of your child. When used for playing, never leave child unattended.

⚠ To reduce the risk of SIDS, pediatricians recommend healthy infants be placed on their back to sleep, unless otherwise advised by your physician.

⚠ Never substitute parts.

⚠ If refinishing, use a nontoxic finish specified for children's products.

⚠ The product, including side rail, must fully erected prior to use.

This gate is to protect baby and pet from danger. applied on staircase, kitchen, doorways, and hallways, corner. This product will not necessarily prevent all accidents. Never leave child unattended

SPECIFICATION

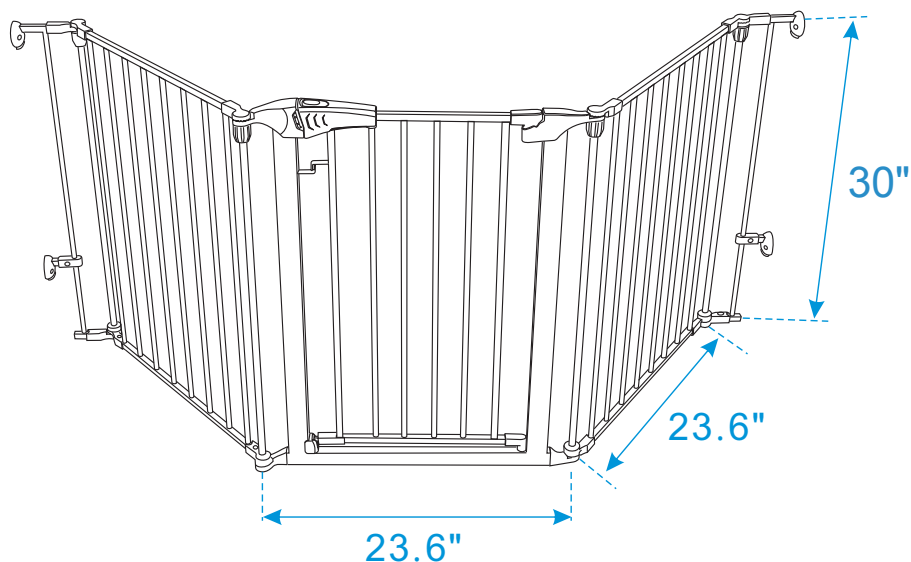
Net Weight: 16.5lb Gross Weight: 17.97lb

Installation width: 33-80"

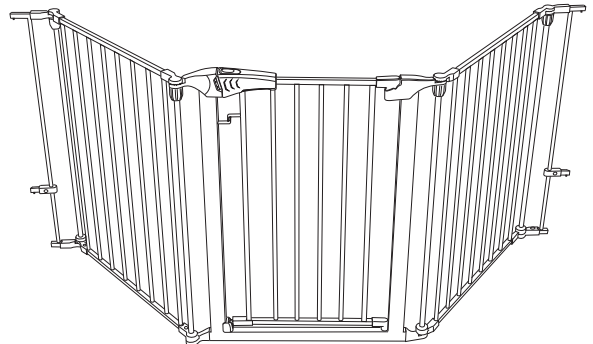
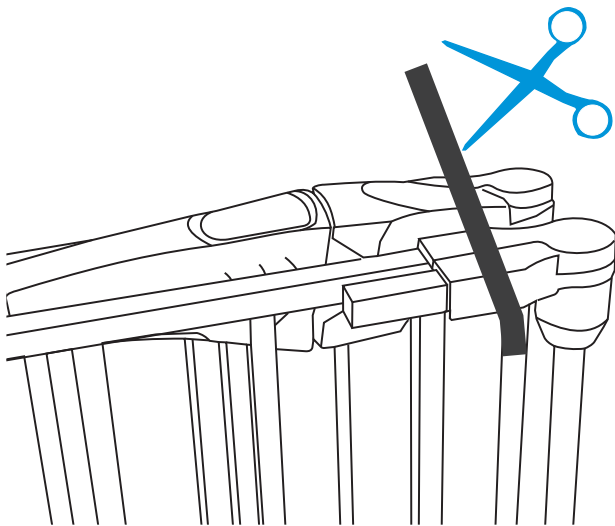
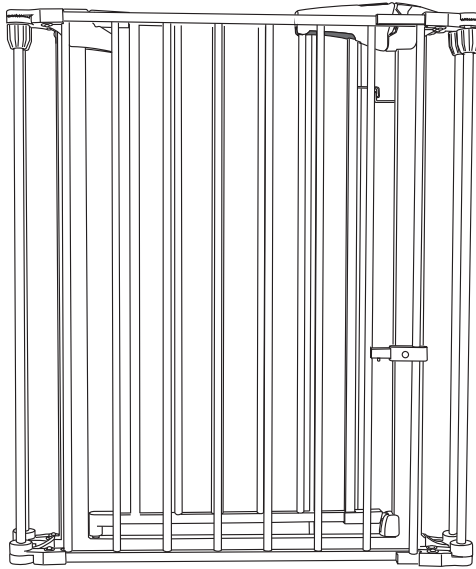
Material: Iron tube, plastic

Width of each panel: 23.6"


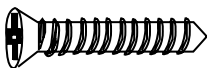
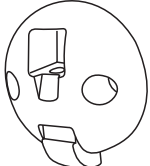
High of each panel: 30"



PRODUCT LIST

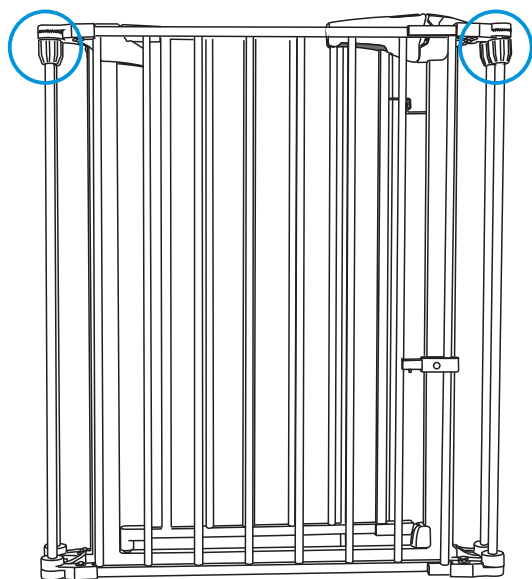


PARTS

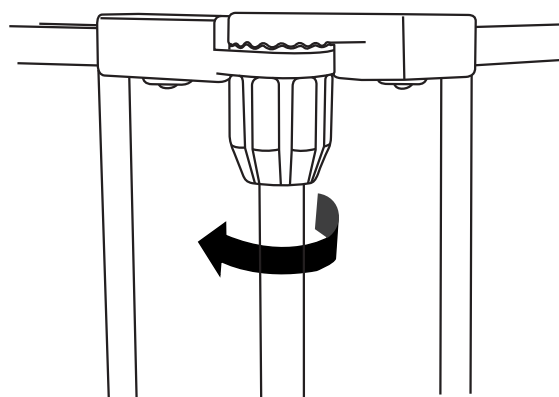
A	B	C
 <p>Plastic Expansion Pipe 8 pcs</p>	 <p>Screw 8 pcs</p>	 <p>Fixed Head 4 pcs</p>

Installation Guide

STEP 1 UNLOCK THE KNOB

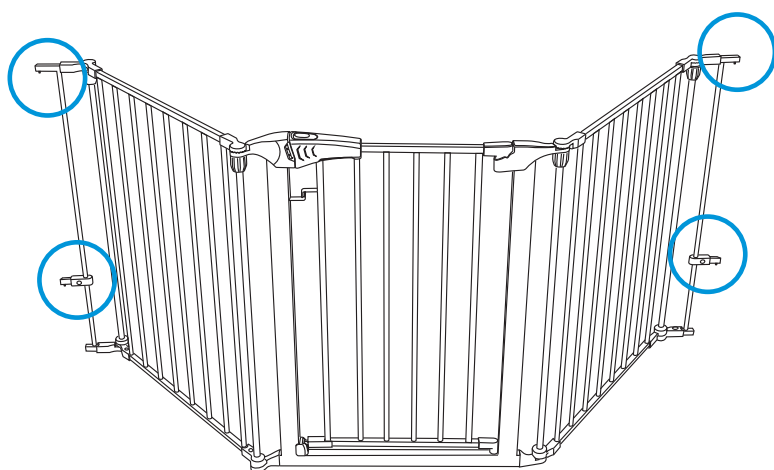


unlock the gate

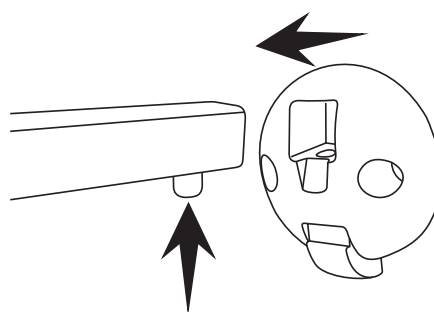


Rotate the four knob on anti-clockwise direction.

STEP 2 INSERT THE FIX HEAD



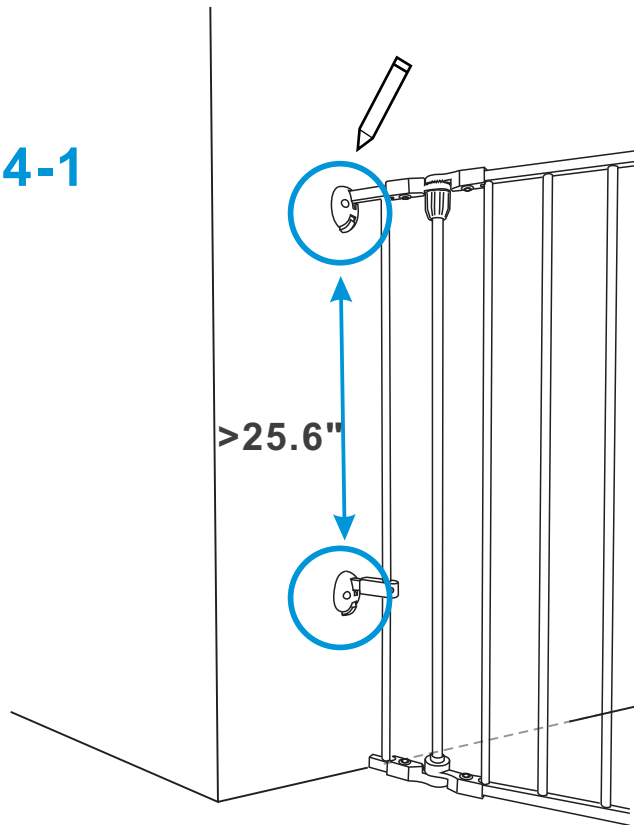
Unfold the gate panel, then insert the 4 pieces wall fix head.



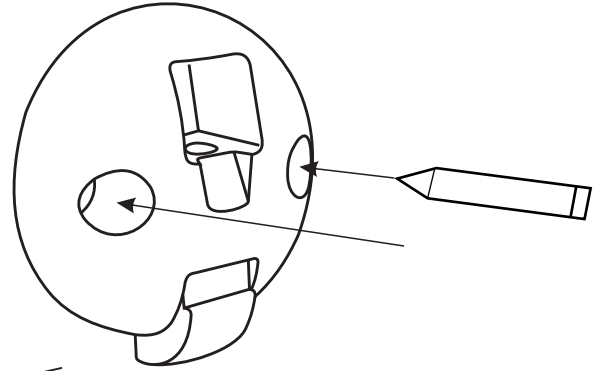
Press the button and insert the wall fix head.

STEP 4 WALL FIXING

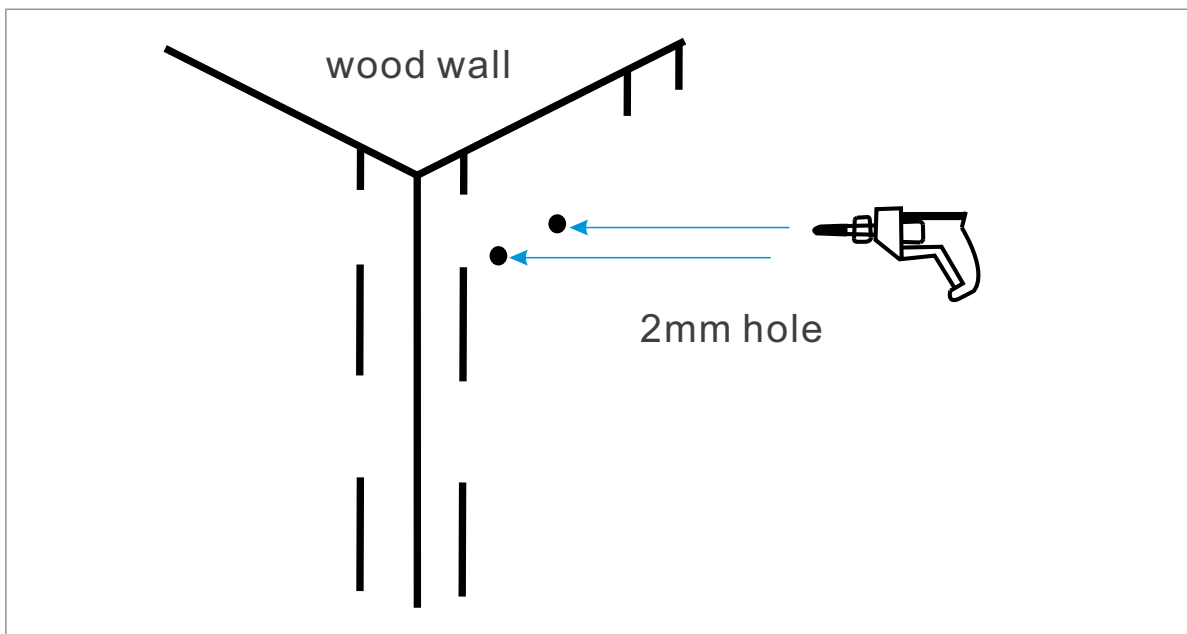
4-1



Mark the fix head's screw position with a pencil (Note: the distance between the two fix head must more than 25.6")



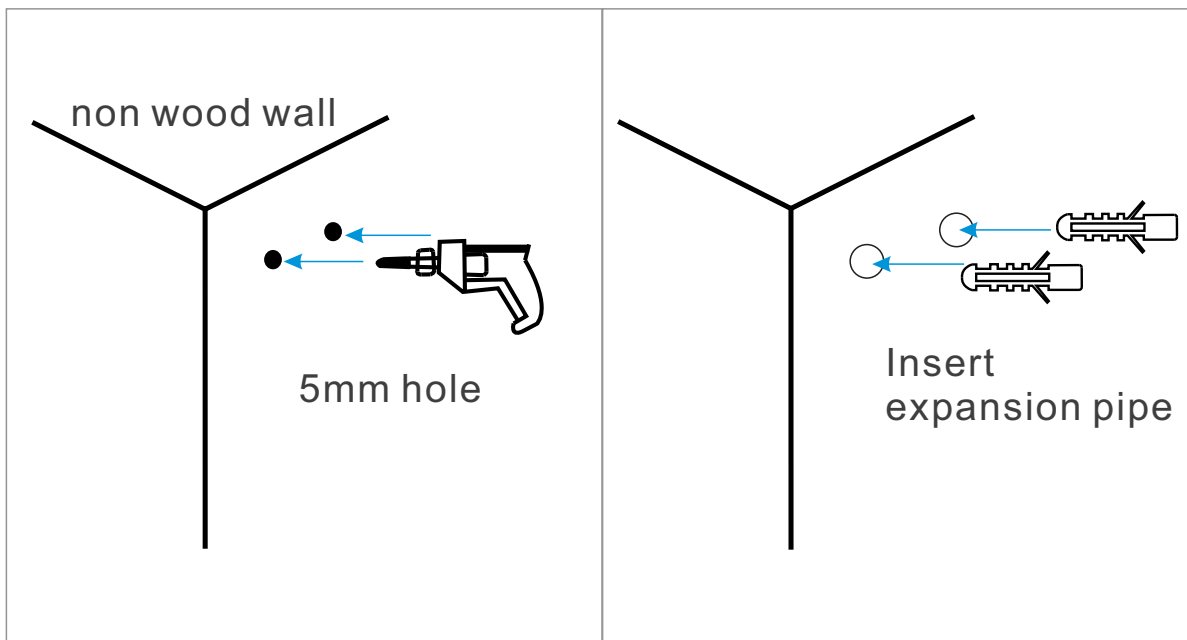
4-2-1



1, Use 2mm rotary shaft when install on the wood wall, then fix with screw .

Notice: the installation tool is not include

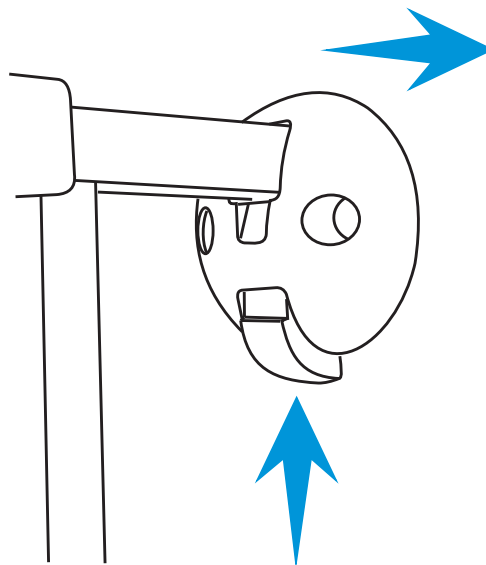
4-2-2



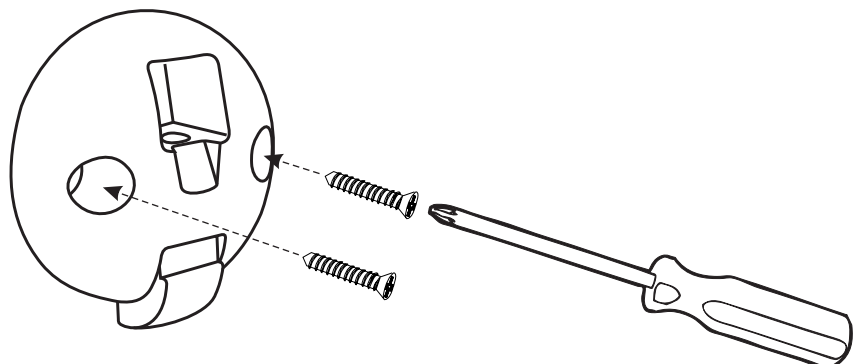
2, Use 5mm rotary shaft when install on the non wood wall, then insert with plastic expansion pipe, finally fix with screw.

4-3

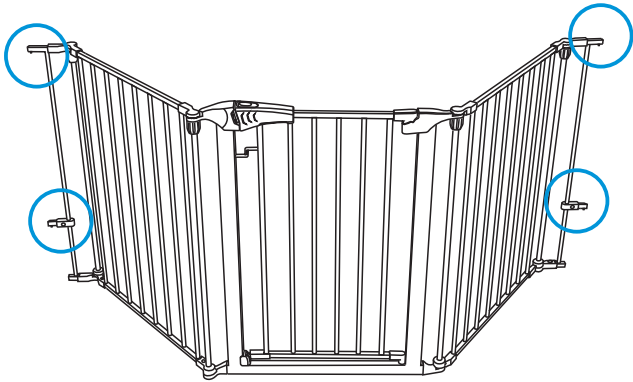
Press the button on the bottom of the fixing head to remove the fixing head.



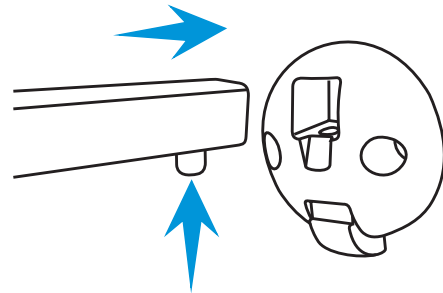
Insert the screw with the bolt driver.



4-4

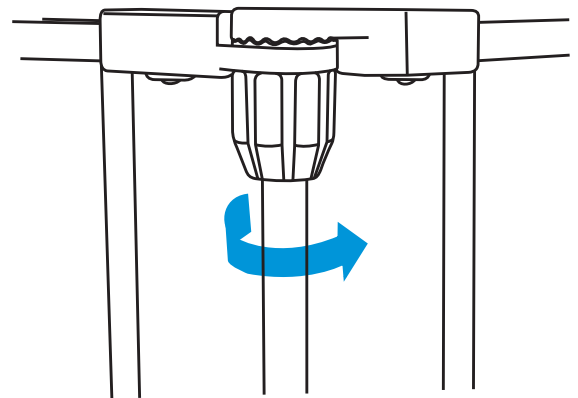
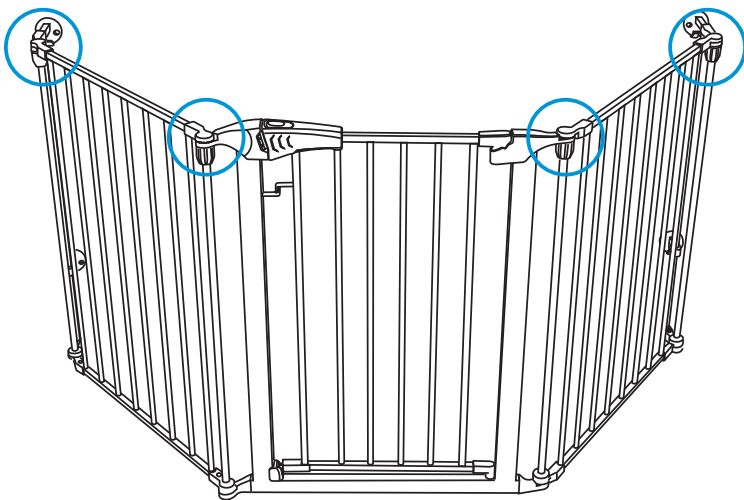


Press the button and Insert the gate panel into the fix head.



4-5

Rotate the knob in clockwise direction to tighten the bolt.
Check the knob before each use.

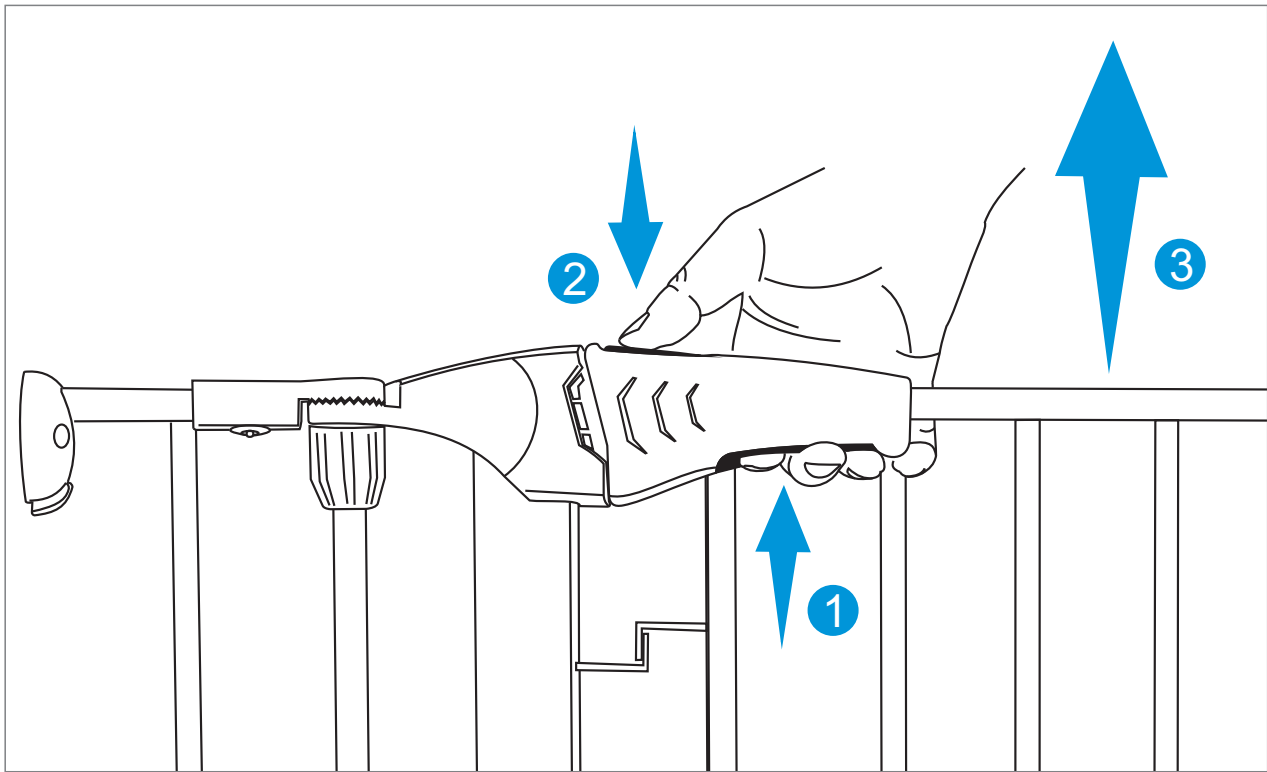


Tighten the 4 knobs

4-6

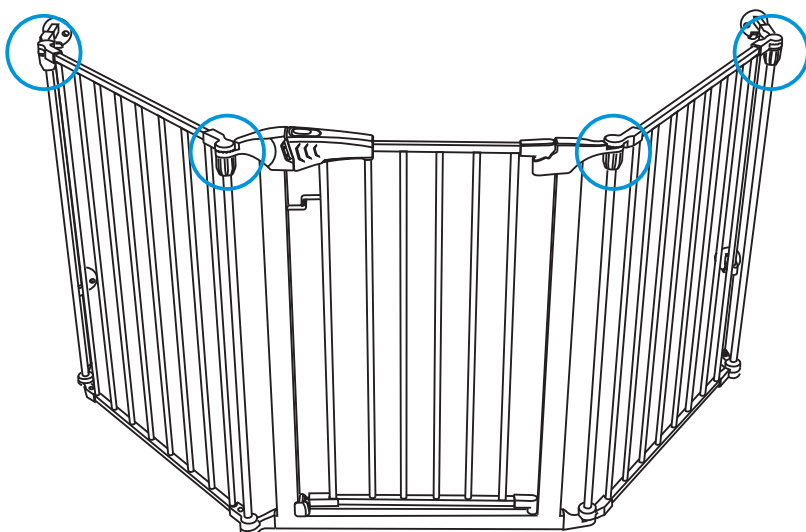
Two steps to open the gate

- 1, Press the up and down button of the lock at the same time.
- 2, Pull up the gate until higher than the lock that on the bottom of the gate, then gate open

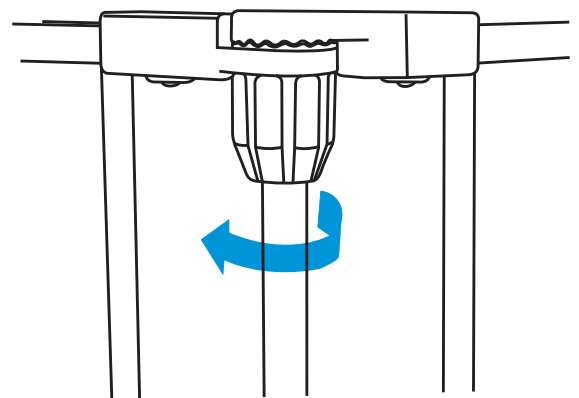


STEP 5 FOLD UP THE GATE

5-1



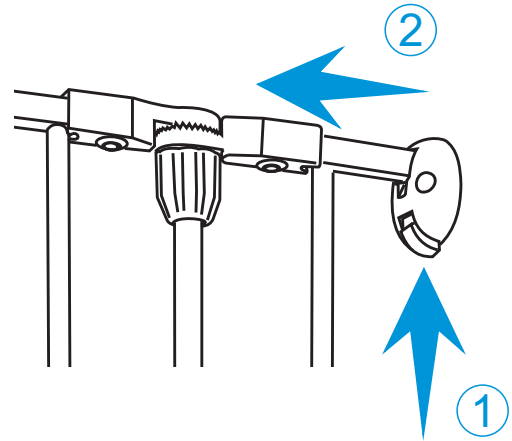
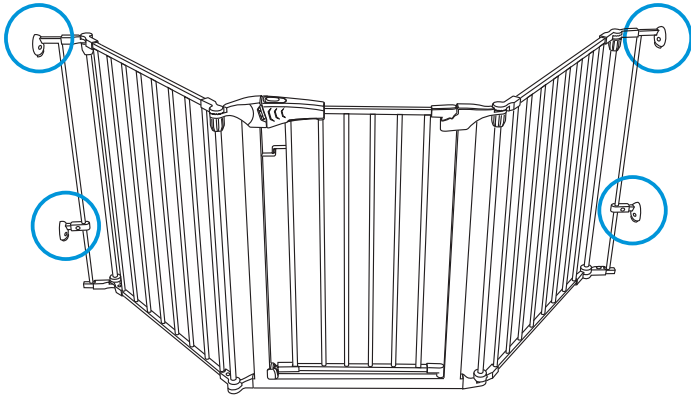
unlock the gate



Rotate the four knob on anti-clockwise direction.

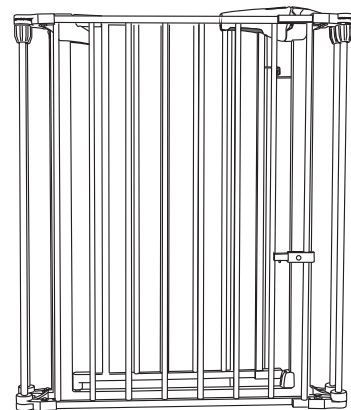
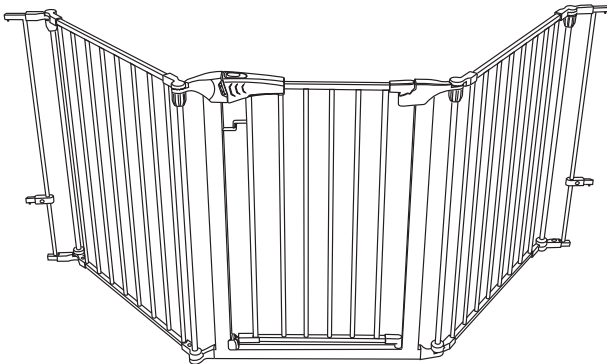
5-2

Press the button on the bottom of the fixing head to remove the gate from the wall.



5-3

Fold up the gate like the below picture show



Any question , please feel free to contact the distributor where you buy from.

Info@kingso.net
www.kingso.net