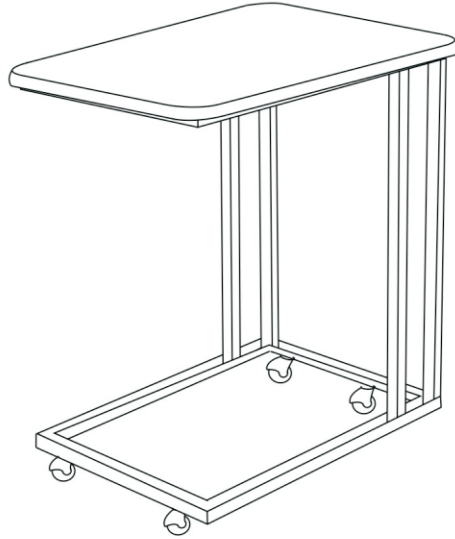
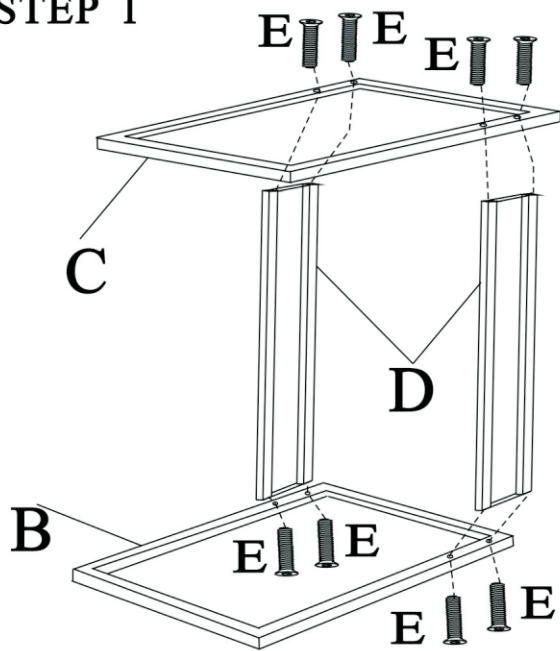


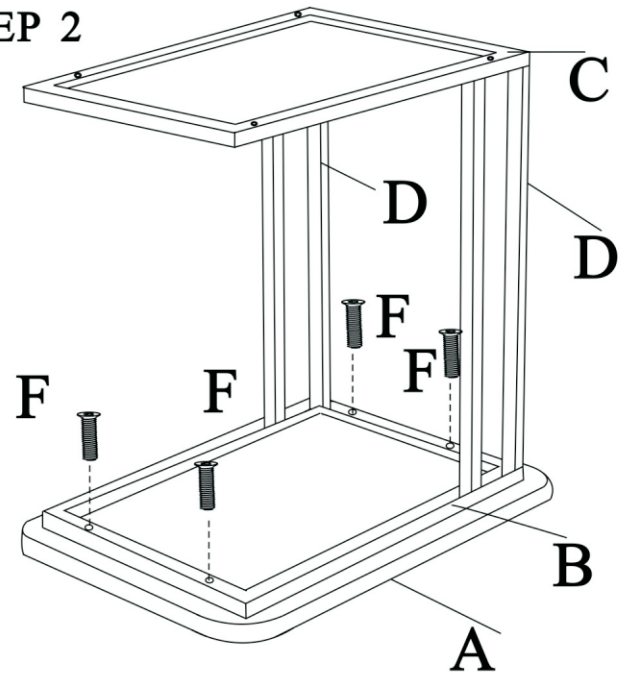
ASSEMBLY INSTRUCTIONS



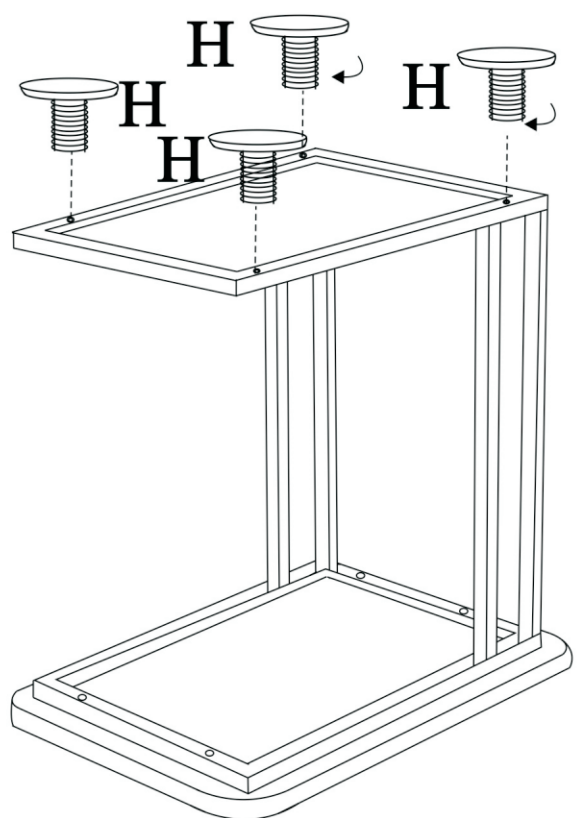
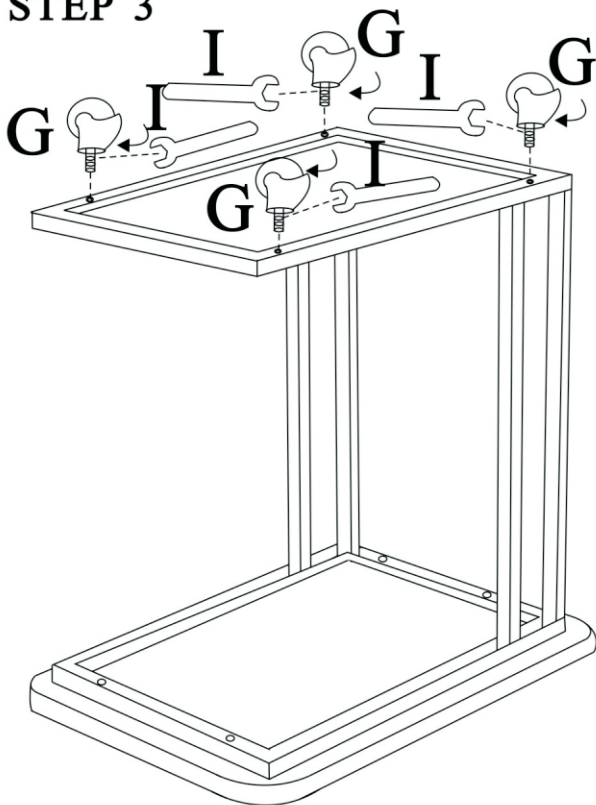
STEP 1

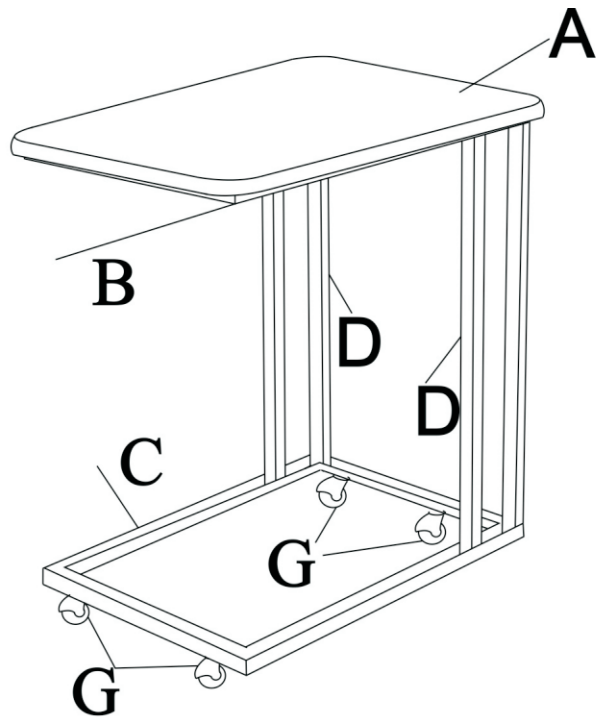





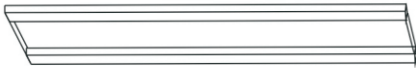
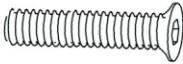
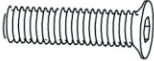



STEP 2



STEP 3





A	1PC	
B	1PC	
C	1PC	
D	2PCS	
E	M6*40mm*8PCS	
F	M6*30mm*4PCS	
G	4PCS	
H	4PCS	
I	1PC	
J	1PC	