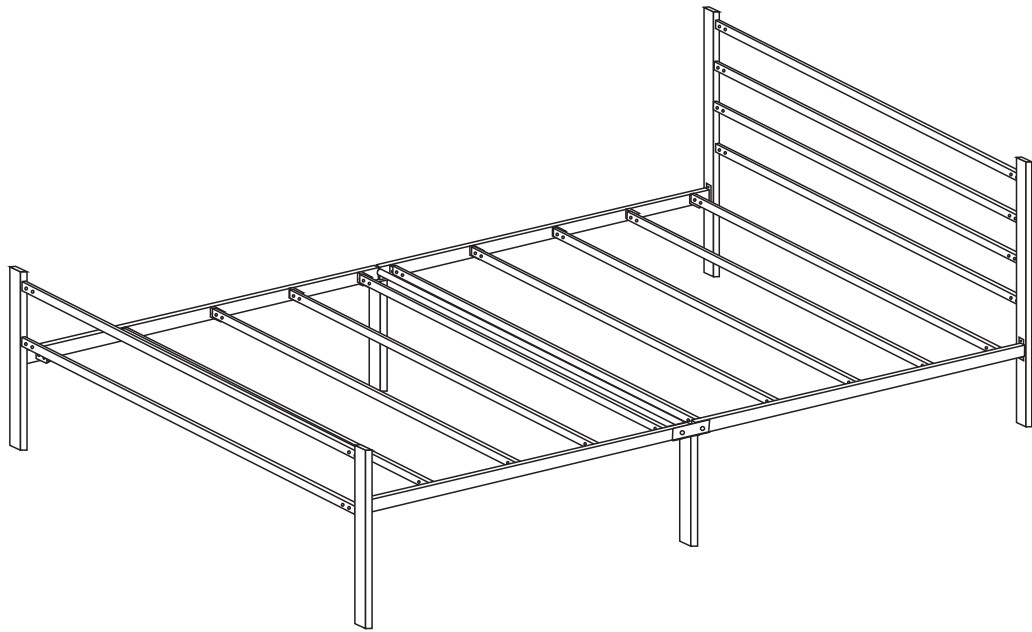
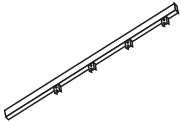
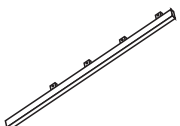
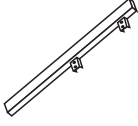
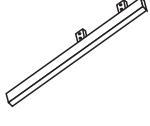
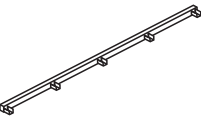
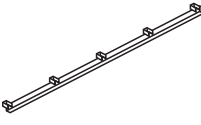
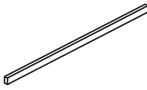

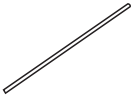


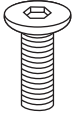


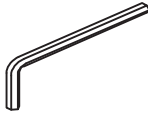



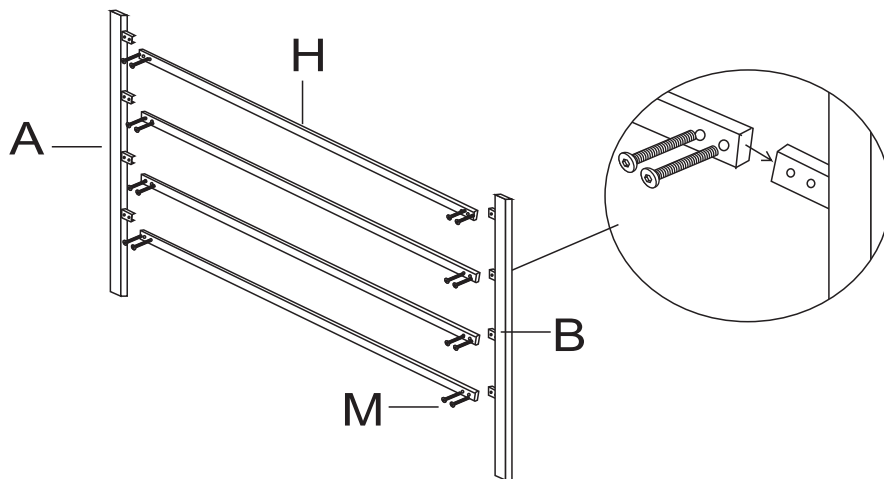
# Bed Frame Instruction Assembly



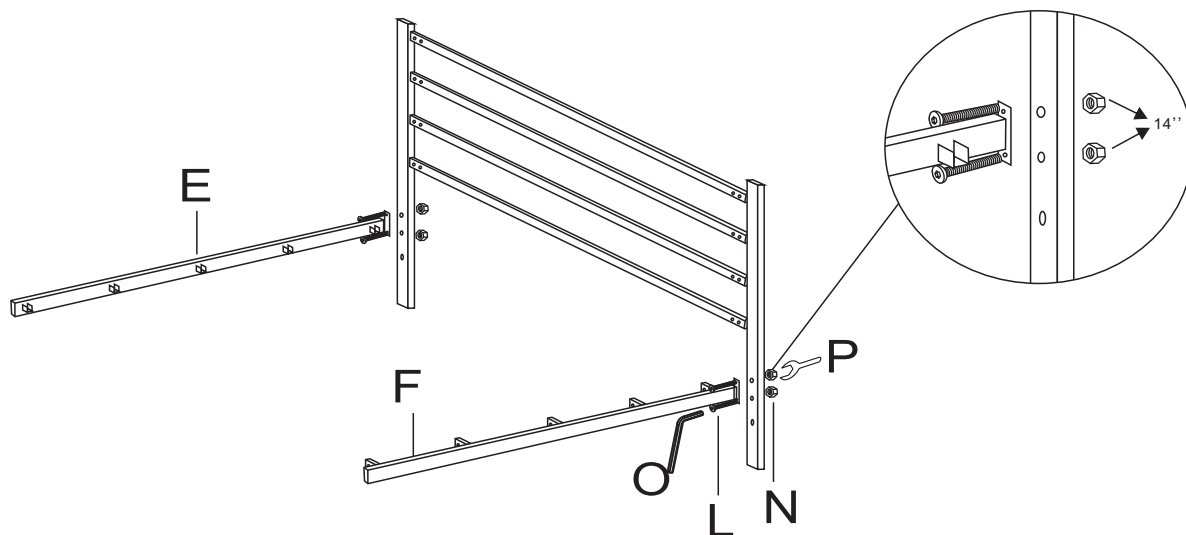
<p>A</p>  <p>1</p>	<p>B</p>  <p>1</p>	<p>C</p>  <p>1</p>	<p>D</p>  <p>1</p>
<p>E</p>  <p>2</p>	<p>F</p>  <p>2</p>	<p>G</p>  <p>10</p>	<p>H</p>  <p>6</p>
<p>I</p>  <p>1</p>	<p>J</p>  <p>2</p>	<p>K</p>  <p>2</p>	<p>L</p>  <p>8X35MM 12</p>
<p>M</p>  <p>8X12MM 24</p>	<p>N</p>  <p>M8 10</p>	<p>O</p>  <p>1</p>	<p>P</p>  <p>1</p>

# 14" Bed Frame Instruction Assembly

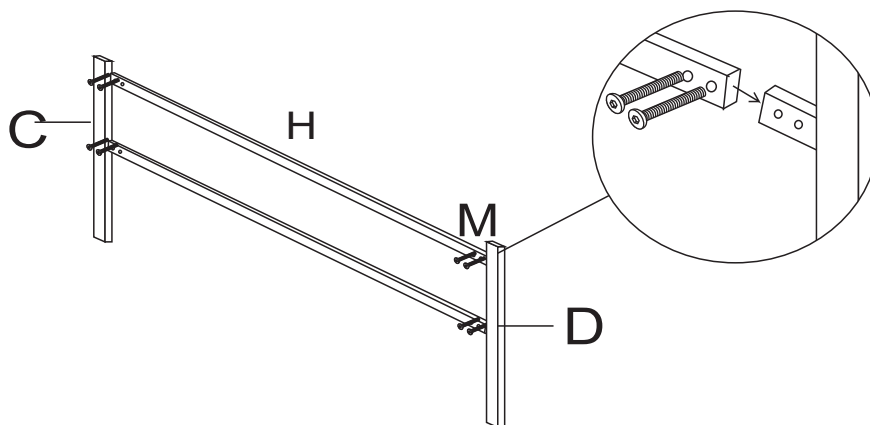
1



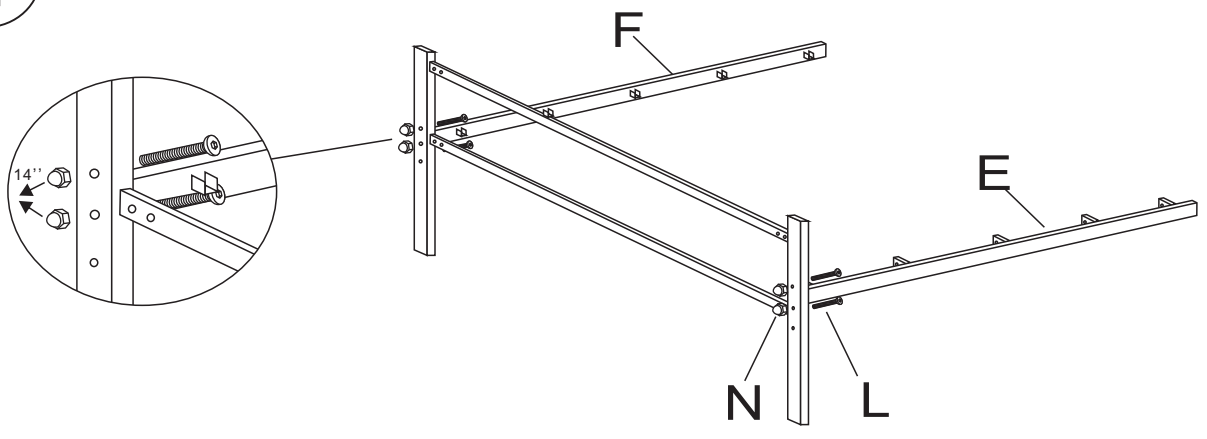
2



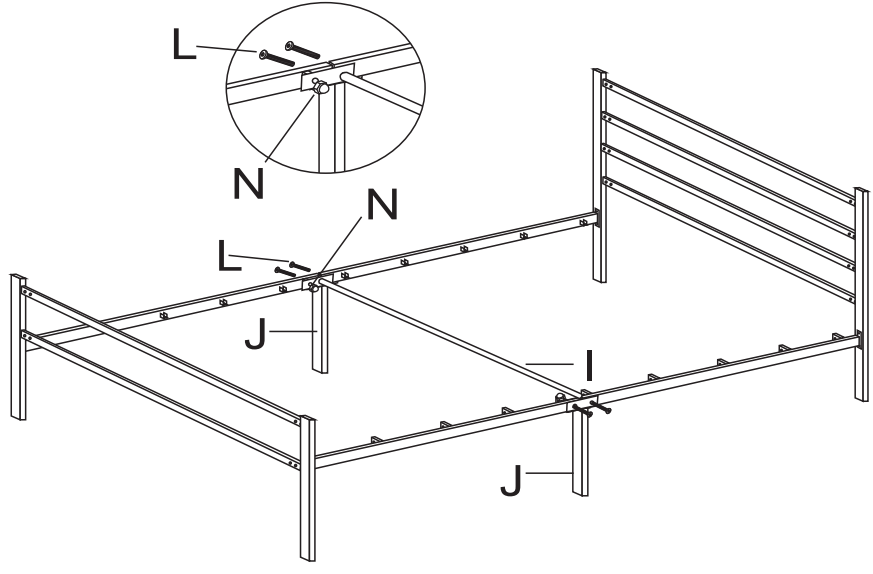
3



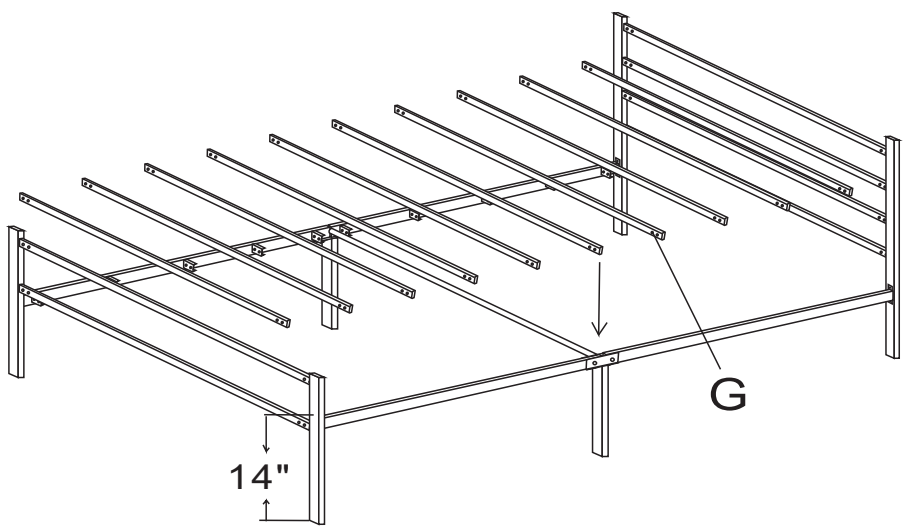
4



5



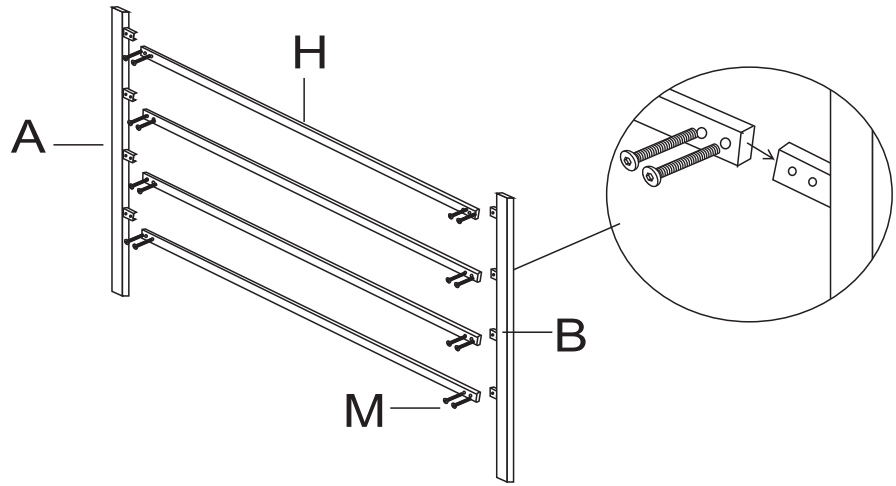
6



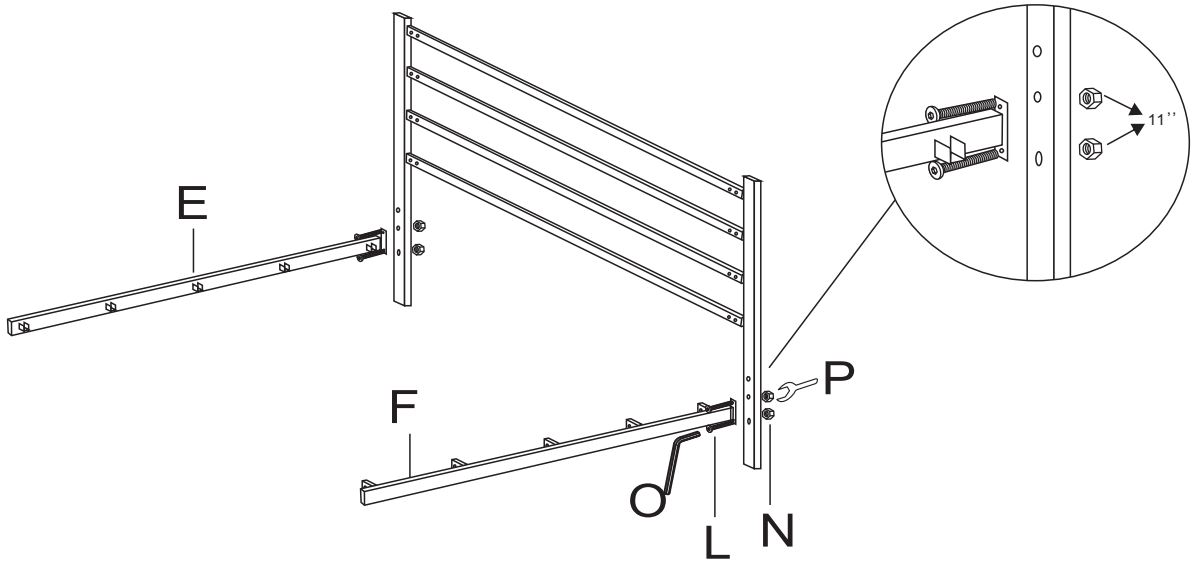
Note: During the installation process, the screws should not be tightened too tightly. After all the parts are installed, adjust them on a flat ground, and finally tighten the screws

# 11" Bed Frame Instruction Assembly

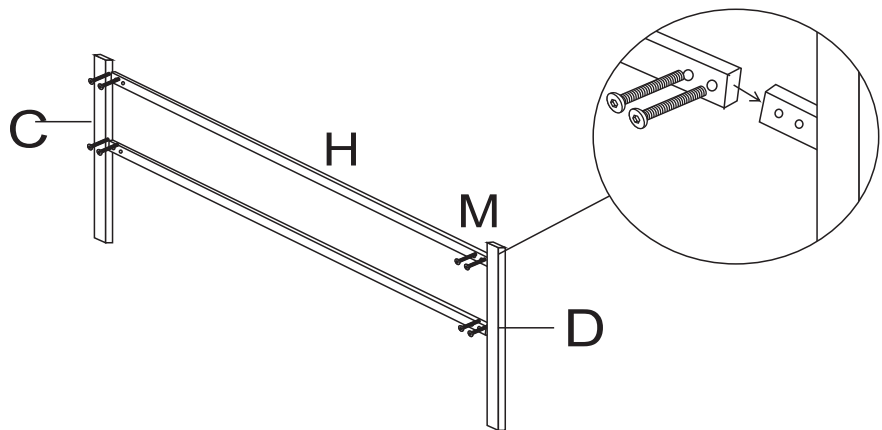
1



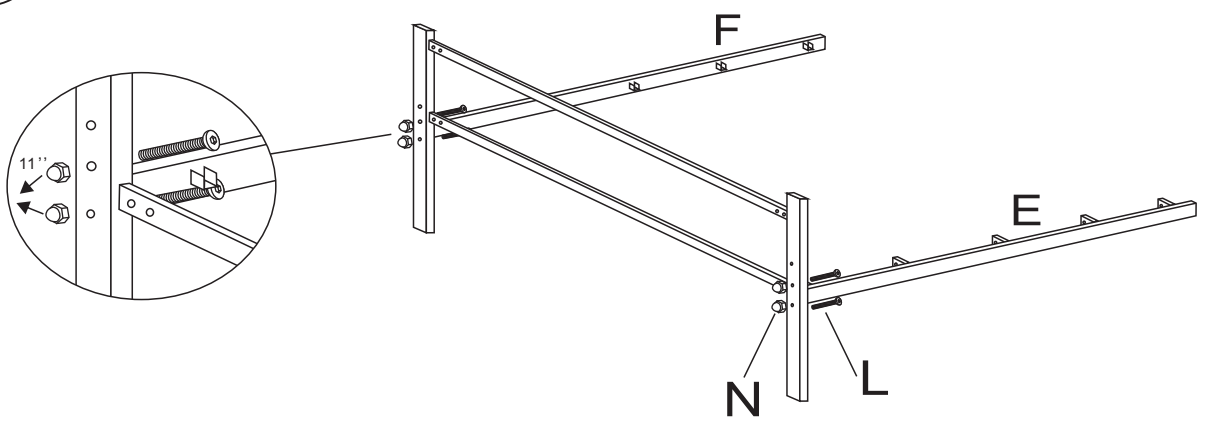
2



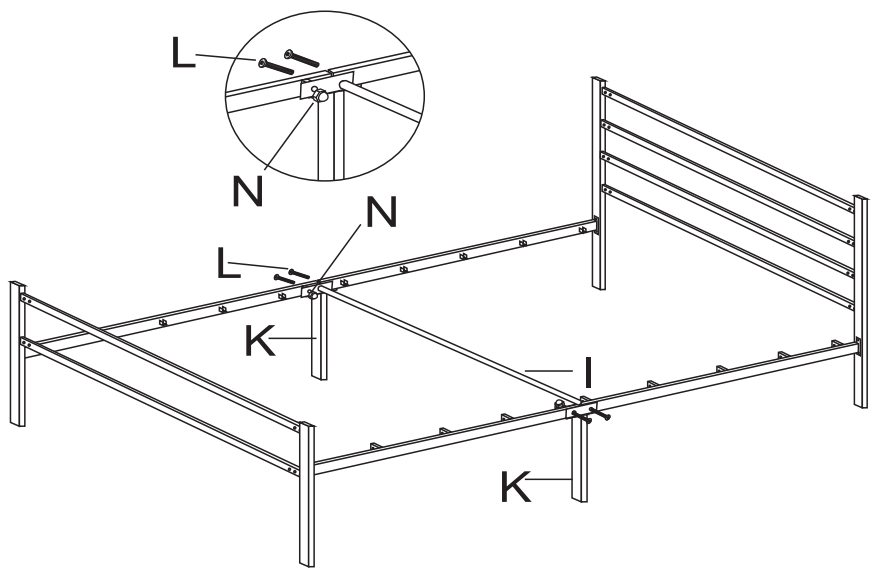
3



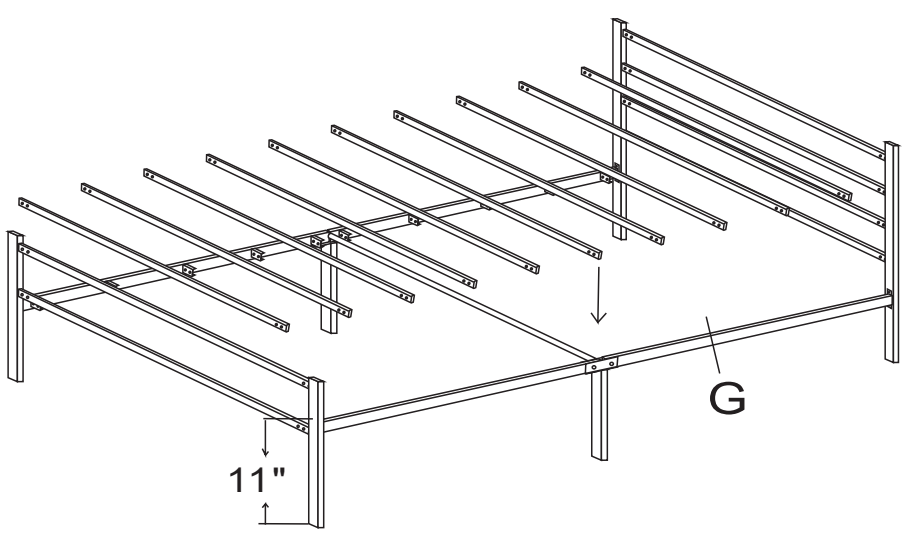
4



5



6



Note: During the installation process, the screws should not be tightened too tightly, After all the parts are installed, adjust them on a flat ground, and finally tighten the screws