

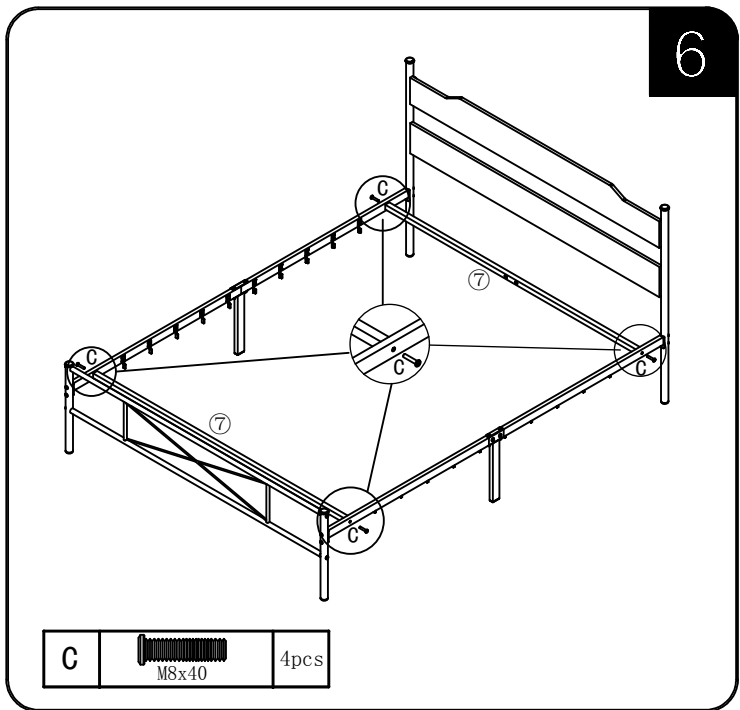
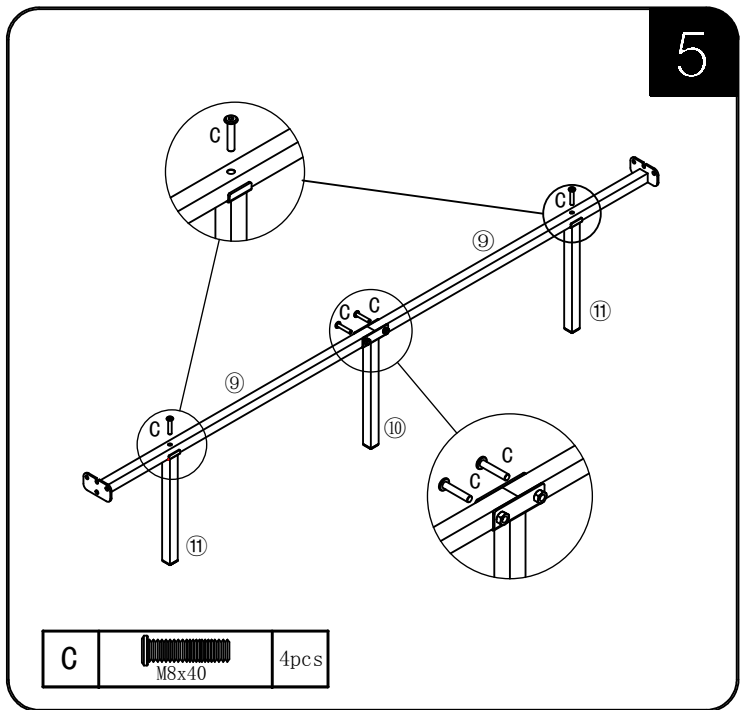
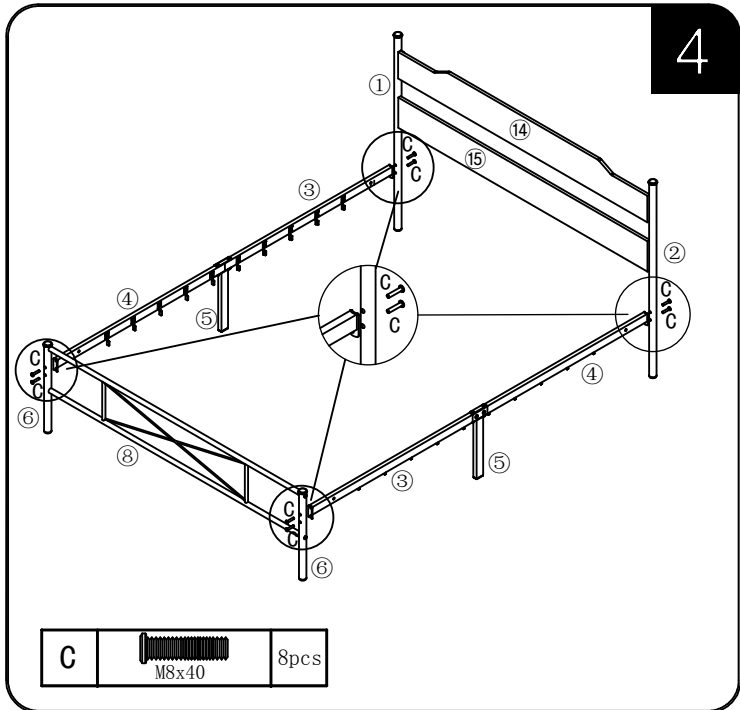
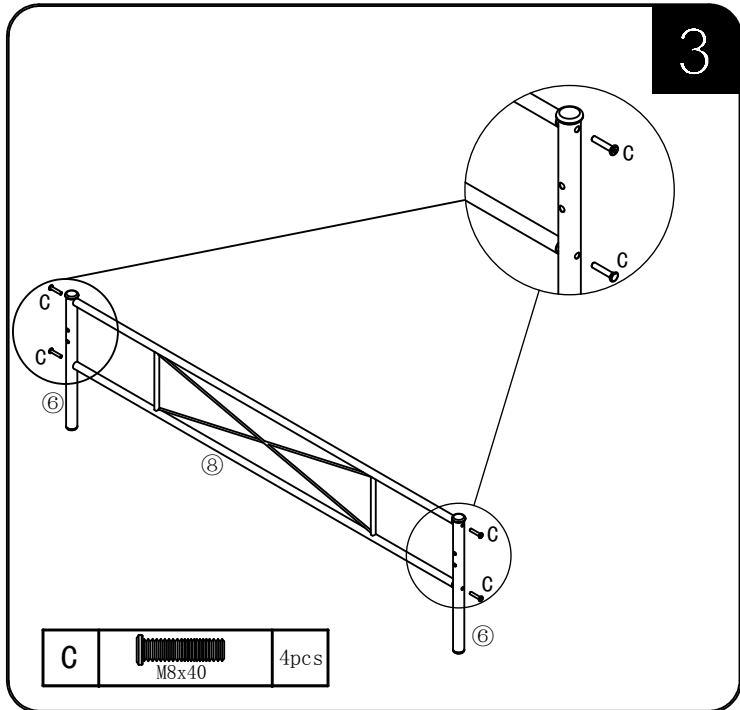
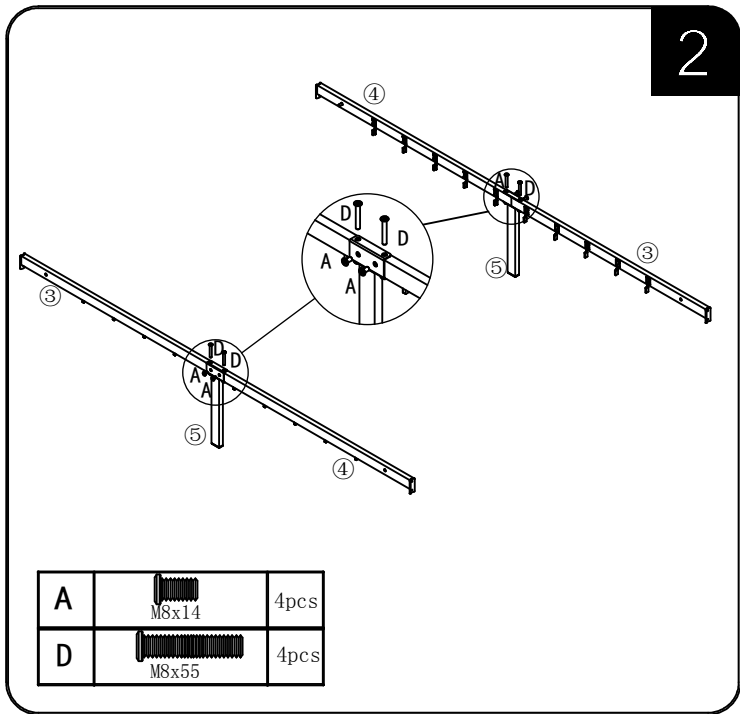
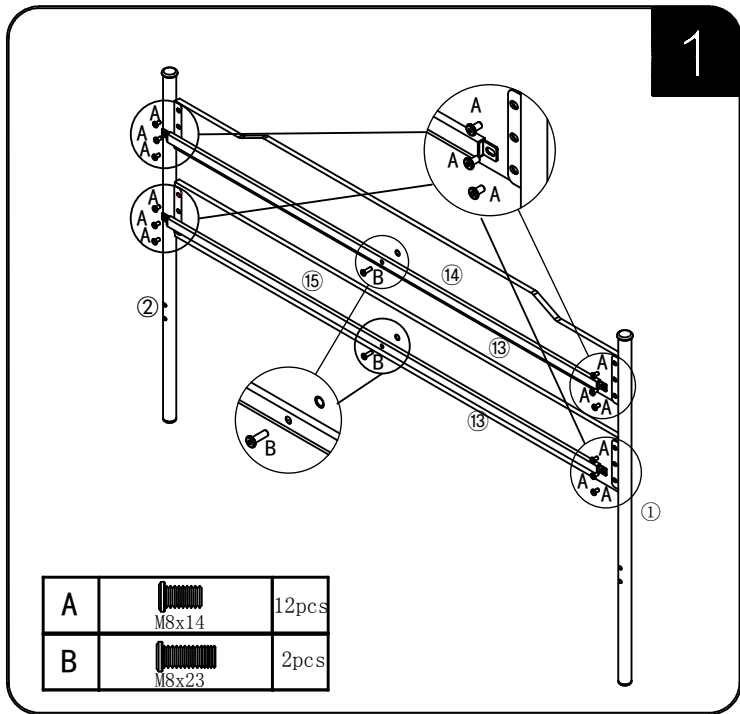
### Important Note

Please **DO NOT** tighten any hardware until all the components are assembled. Be sure to tighten all the hardware once the assembly is complete.

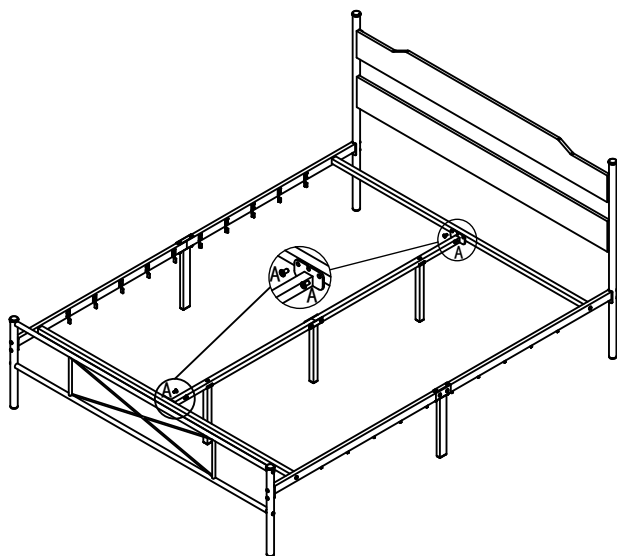
## Components

- ① x1pc
- ② x1pc
- ③ x2pc
- ④ x2pc
- ⑤ x2pc
- ⑥ x2pc
- ⑦ x2pc
- ⑧ x1pc
- ⑨ x2pc
- ⑩ x1pc

- ⑪ x2pc
- ⑫ x10pc
- ⑬ x2pc
- ⑭ x1pc
- ⑮ x1pc
- A x20pc
- B x2pc
- C x20pc
- D x4pc
- E x1pc

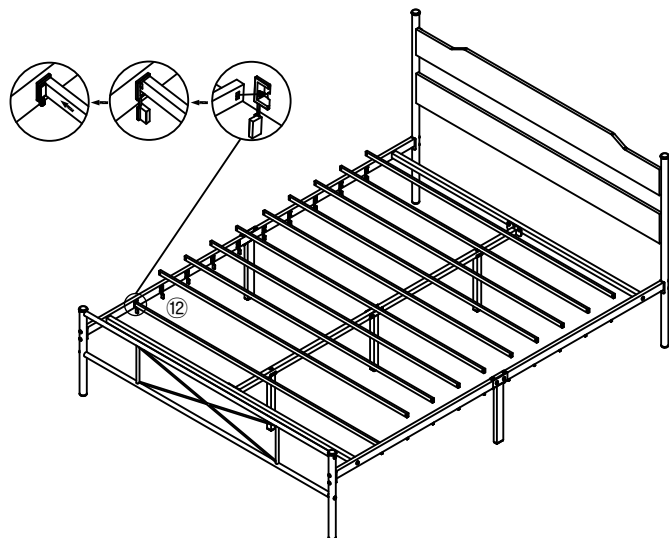


7



A		4pcs
---	--	------

8



Finished

