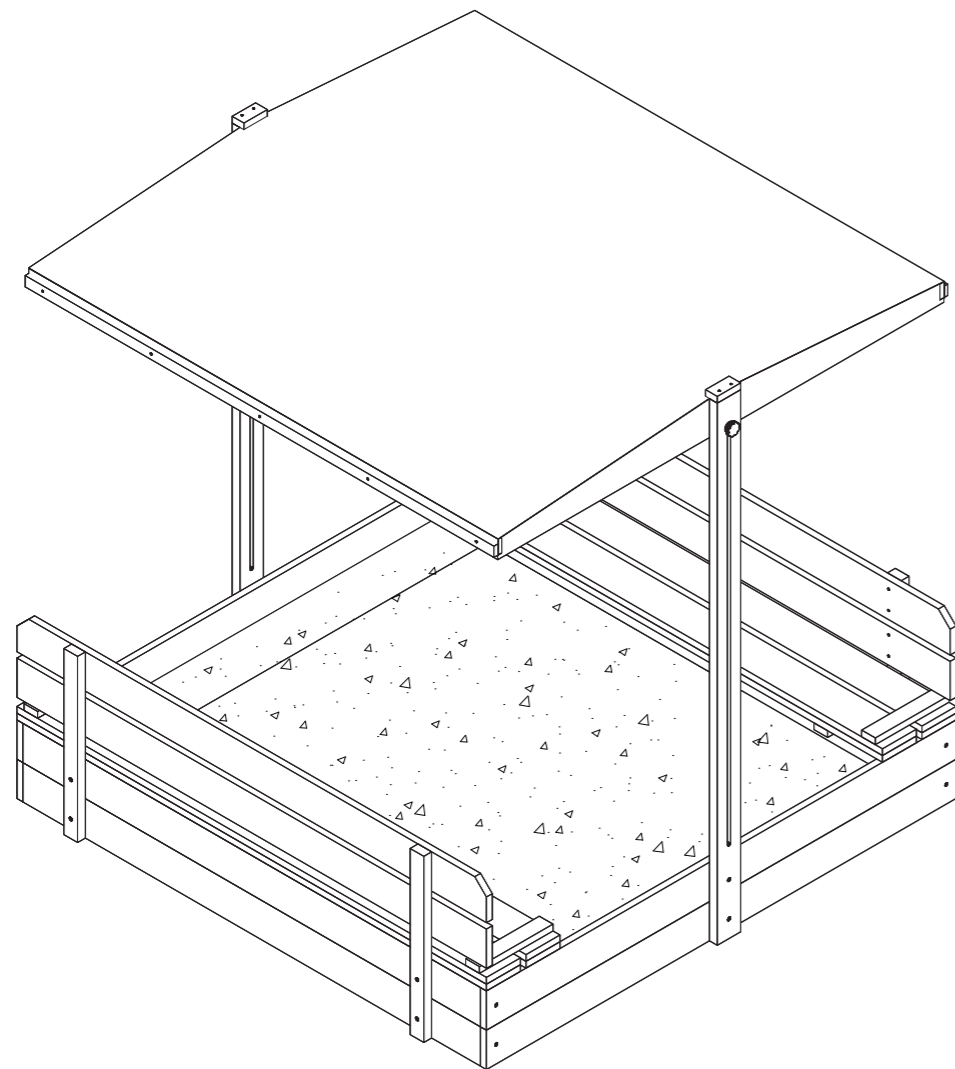


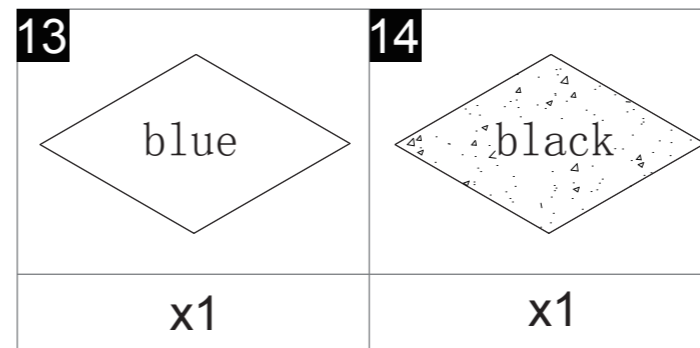
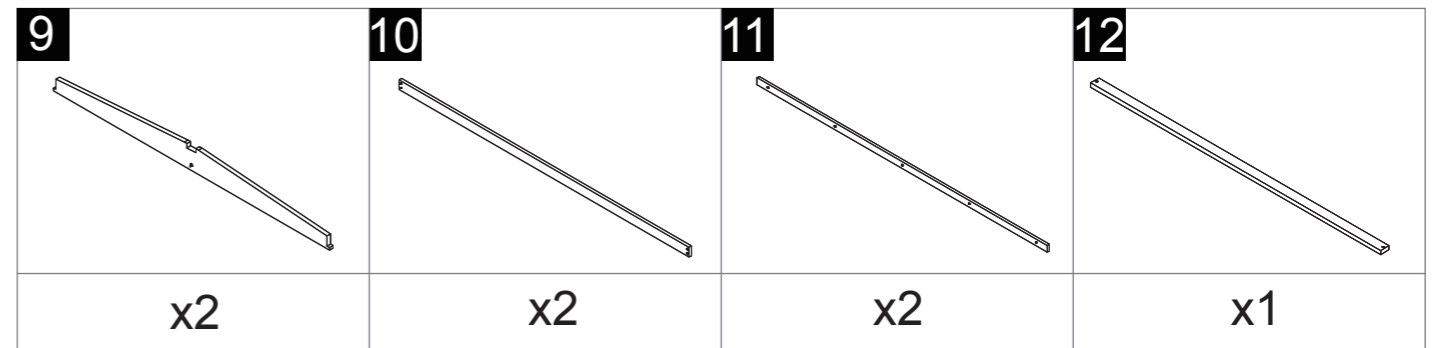
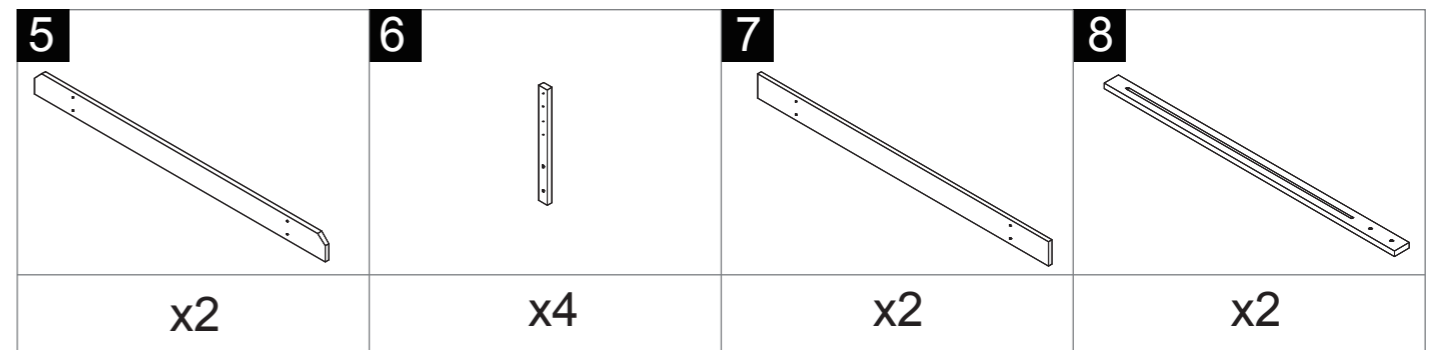
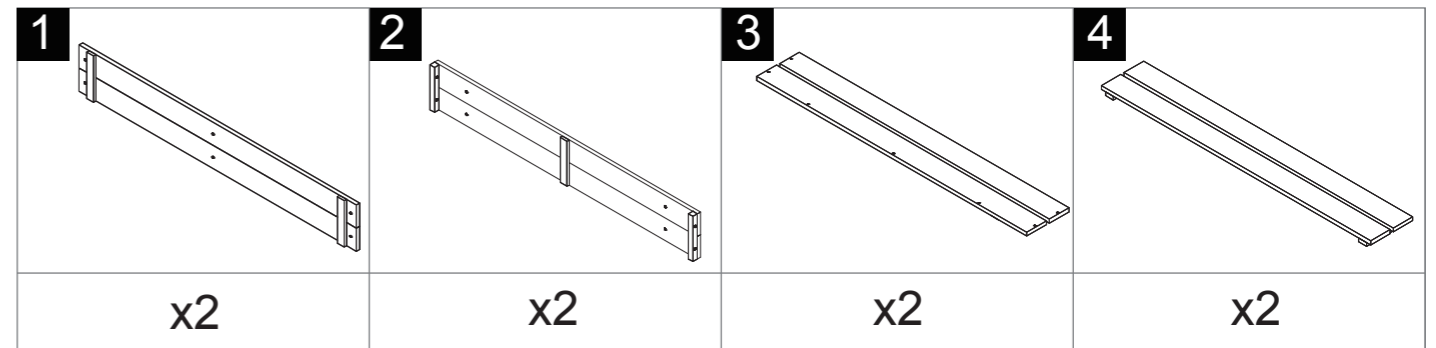
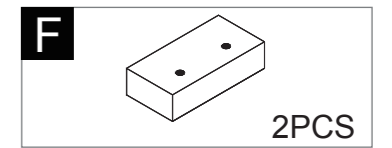
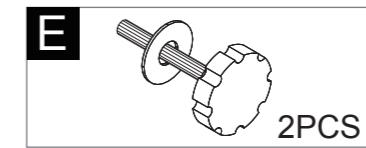
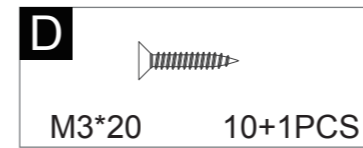
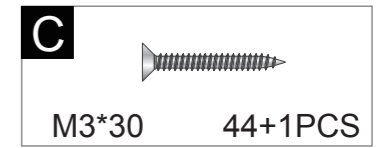
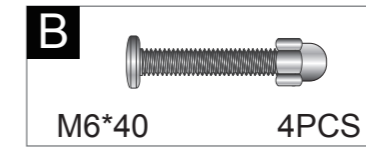
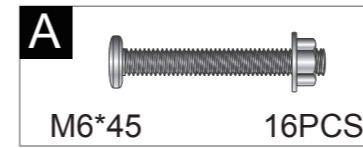


Sand Box

Installation insrtuctions



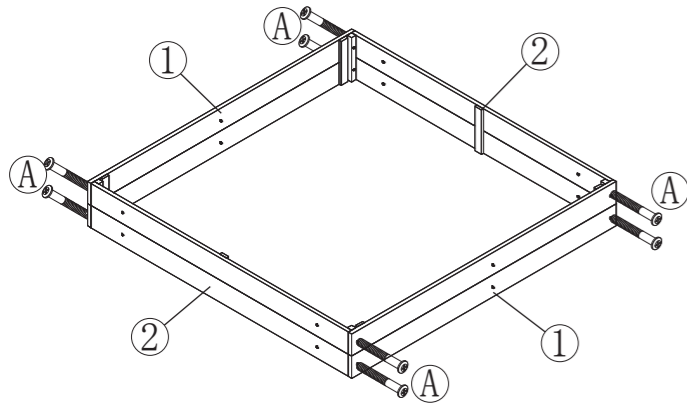
Parts list



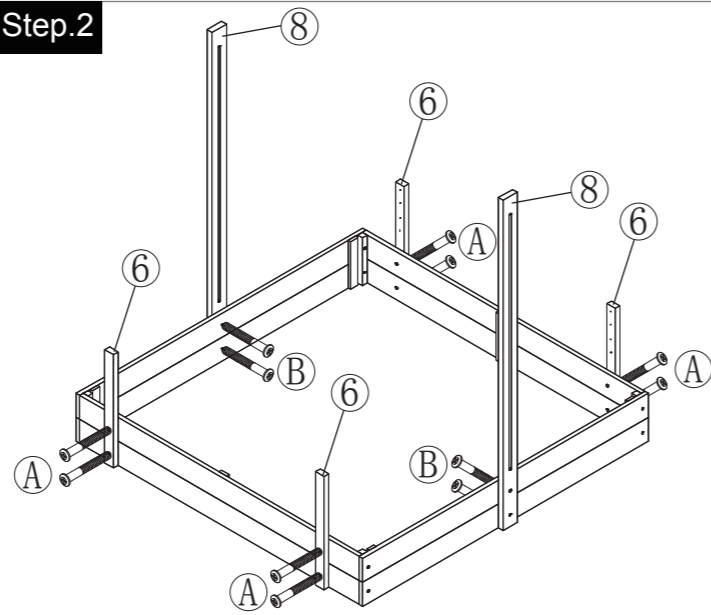
- Keep small parts out of the reach of children.
- Adult assembly is required. Exercise care when unpacking and assembling product.
- This product will not necessarily prevent all accidents. Never leave children unattended.
- Before installation, please read the manual carefully, if you have any questions, please contact us.

INSTALLATION

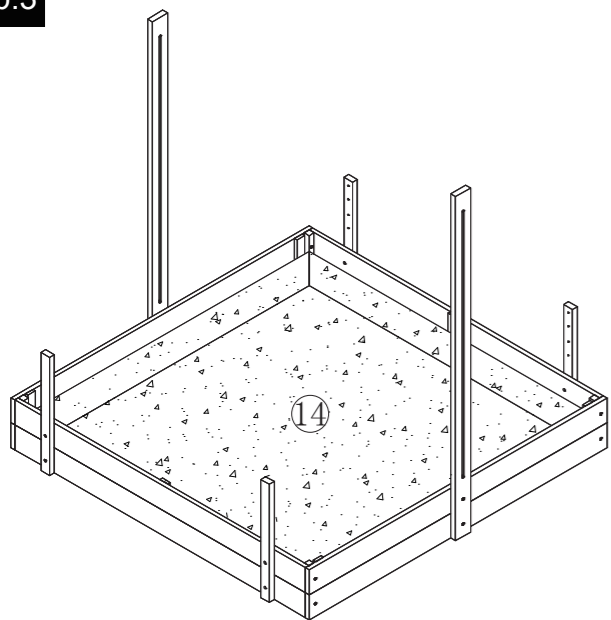
Step.1



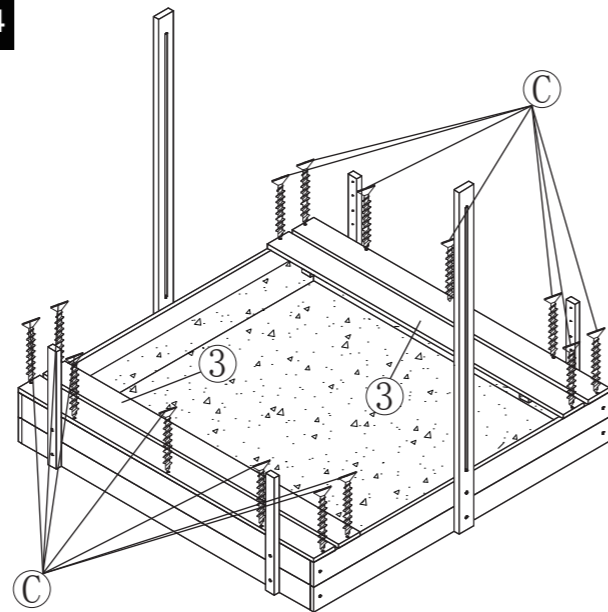
Step.2



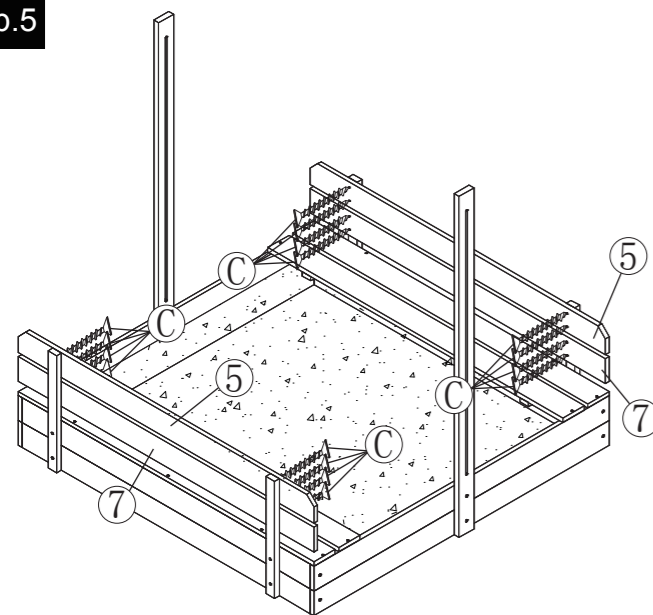
Step.3



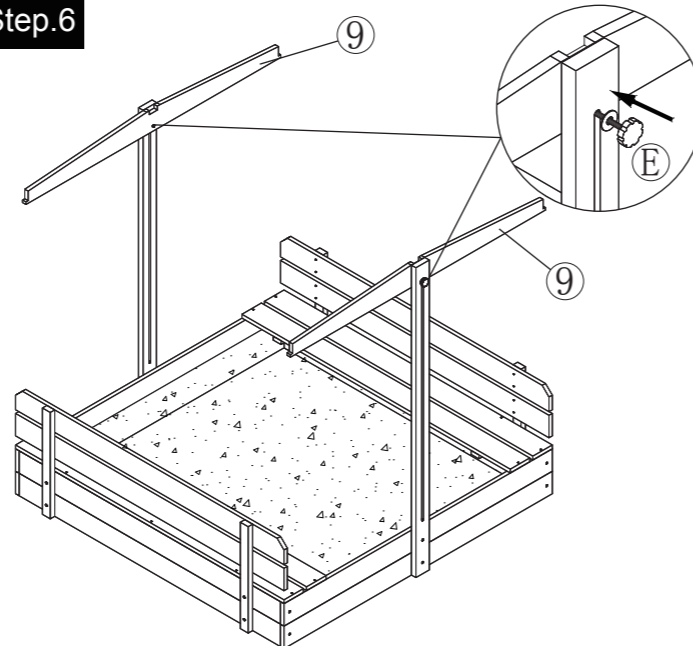
Step.4



Step.5

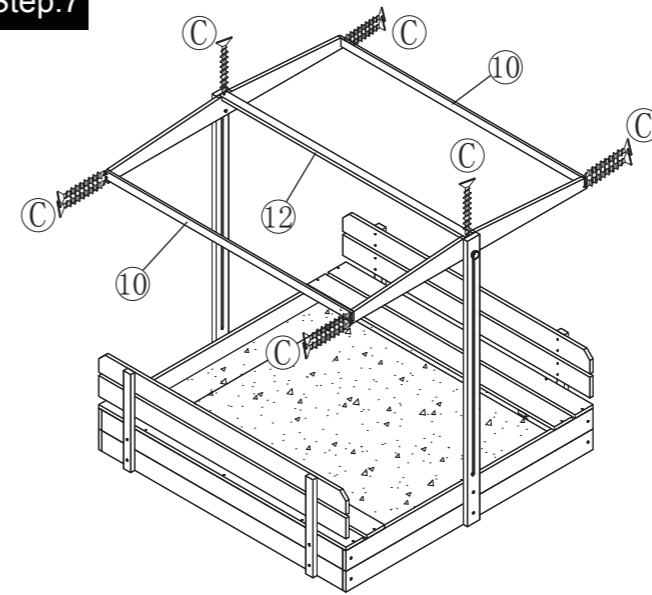


Step.6

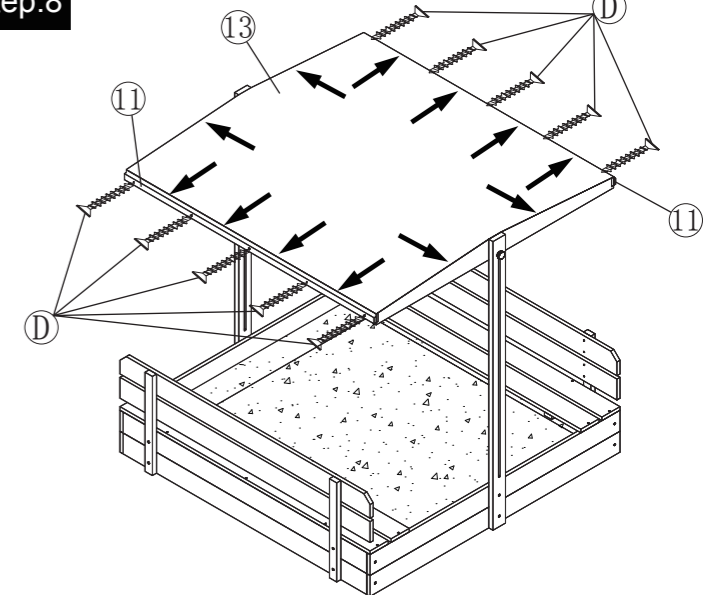


INSTALLATION

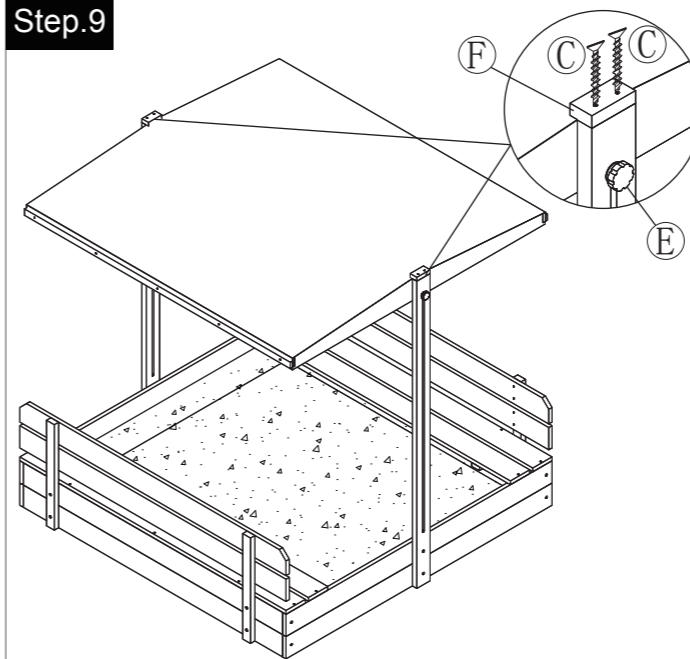
Step.7



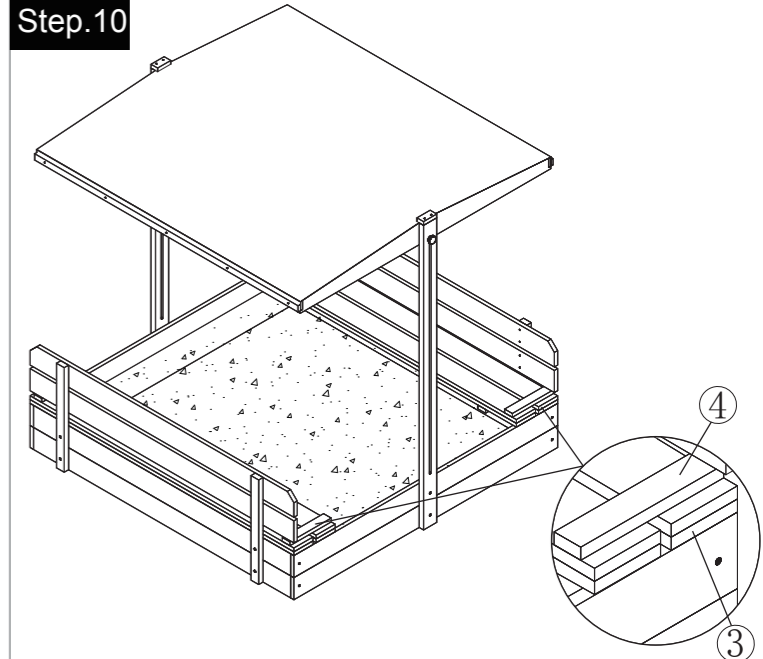
Step.8



Step.9



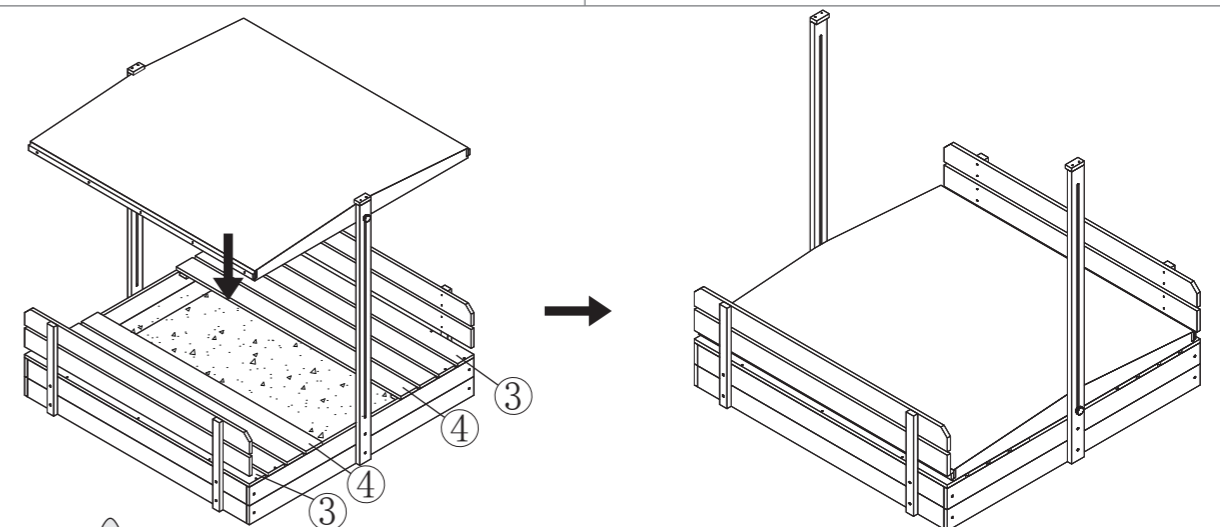
Step.10



WARNING To ensure the stability of the canopy, install fitting F according to step 9 of the instructions, move the canopy to the highest point and tighten fitting E.

WARNING Before using the sandbox to open the game, please stack board #4 and board #3 together to make the seat more stable and ensure the safety of children.

Step.11



WARNING After the end of the sandbox game, the board #3 and board #4 laid out flat, while moving the roof down to cover the sandbox to ensure that the sand is clean and sanitary.